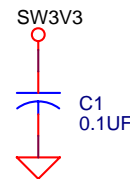
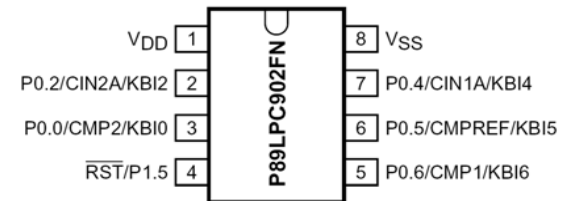
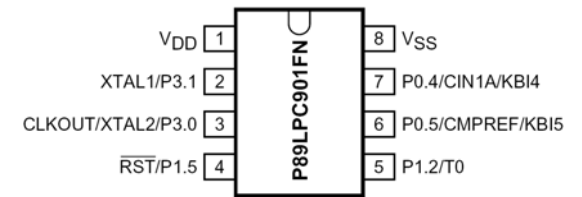
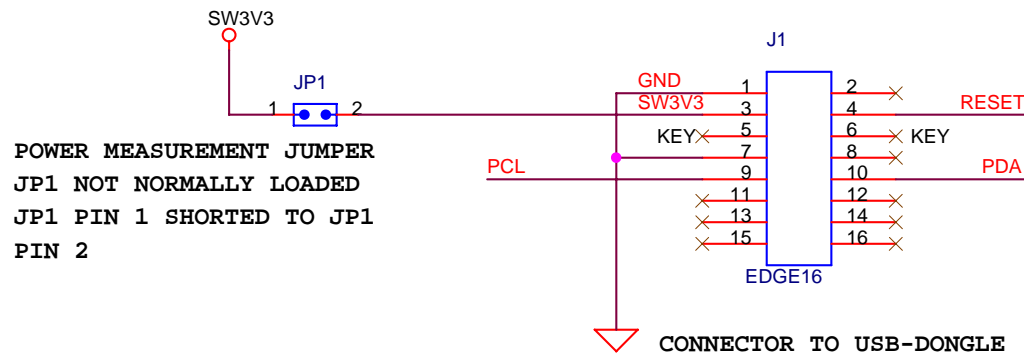
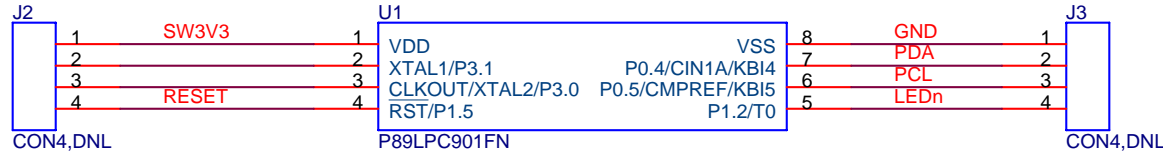
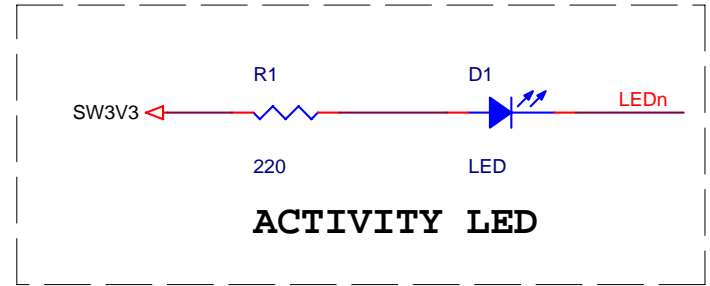


BOARD VARIATIONS:

DB-DIP8-LPC901 U1 = P89LPC901FN
 DB-DIP8-LPC902 U1 = P89LPC902FN *
 (*) NOT NORMALLY STOCKED, AVAILABLE
 ON SPECIAL ORDER



Future Designs, Inc. Huntsville, AL		FDI
Title: DB-DIP8		
Size:	Document Number:	Rev: 1
Date: Friday, May 18, 2007	Sheet: 1 of 1	