

REVISION HISTORY

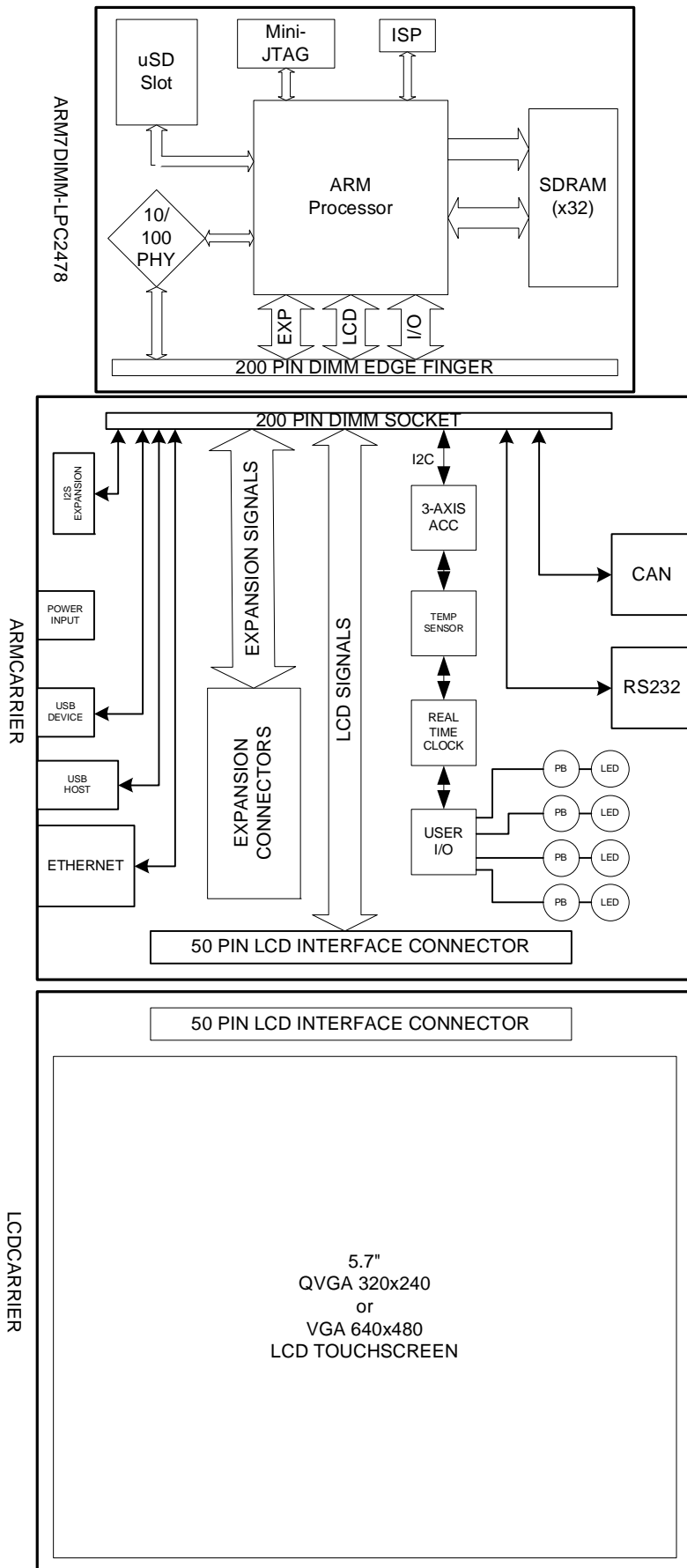
ARM-57TS-LPC2478 REV 1.4 07/08/09
 - ARM7DIMM-LPC2478 REV 2.3
 - ARMCARRIER REV 1.2
 - LCDCARRIER REV 2.1
 - Change from USP-ICP to Seggar Debugger

ARM-57TS-LPC2478 REV 1.3 05/19/09
 - ARM7DIMM-LPC2478 REV 2.3
 - ARMCARRIER REV 1.2
 - LCDCARRIER REV 2.1

ARM-57TS-LPC2478 REV 1.2 04/30/09
 - ARM7DIMM-LPC2478 REV 2.3
 - ARMCARRIER REV 1.1
 - LCDCARRIER REV 2.1

ARM-57TS-LPC2478 REV 1.1 03/27/09
 - ARM7DIMM-LPC2478 REV 2.3
 - ARMCARRIER REV 1.1
 - LCDCARRIER REV 2.0

ARM-57TS-LPC2478 REV 1.0 03/01/09
 - ARM7DIMM-LPC2478 REV 2.2
 - ARMCARRIER REV 1.0
 - LCDCARRIER REV 2.0



SYSTEM BLOCK DIAGRAM

FDI

FUTURE DESIGNS, INC.
 2702 TRIANA BLVD
 HUNTSVILLE, AL 35805
www.teamfdi.com/ARM-TS-KIT