

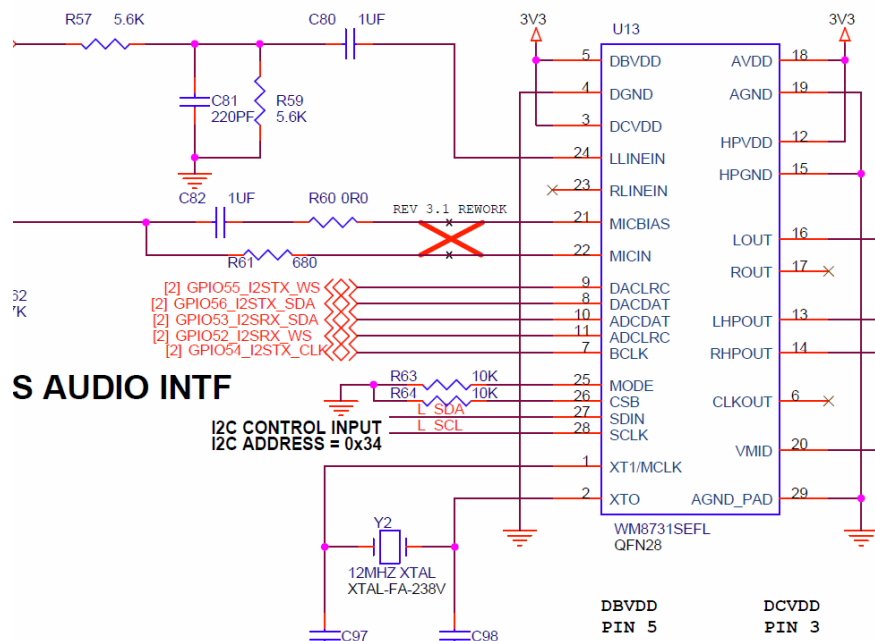
FDI	ENGINEERING CHANGE ORDER		ECO NO: 10-070
			Page 1 of 1
TITLE	DWG NO.	CURRENT REV	NEW REV
DK CARRIER	CARRIER	3	3.1

BACKGROUND:

The microphone input signals are swapped on the Audio Codec

CHANGES:

1. On U13, swap signals going to pins 21 & 22 as shown below;



Reason for change: 1. Microphone inputs are swapped		Disposition/Affectivity	
		Use as is	
		Rework to ECO	x
		Scrap & Rebuild	
		Record Change Only	
Prepared by:	MH	Date:	11/19/2010
Approved by:		Date:	
Approved by:		Date:	
Approved by:		Date:	