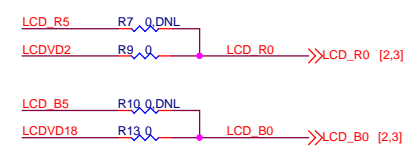
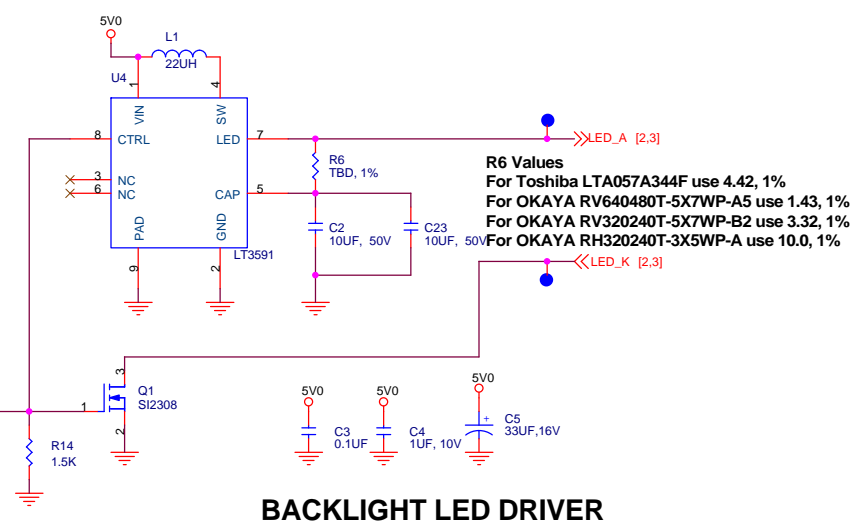


DATE	REV	REVISION HISTORY DETAILS
05/14/09	1	INITIAL RELEASE
06/16/09	1-2	SPL MISQ/MOSI & LCDPWR CORRECTED
11/05/09	2	INCORPORATE EGOS AND REMOVE LG LCD SUPPORT



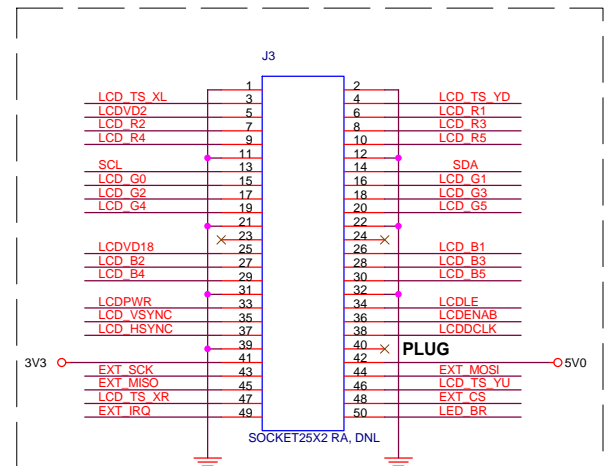
16/18-BIT SELECTION
 DEFAULT 16-BIT WITH INTENSITY

BACKLIGHT DIMMING



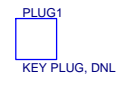
BACKLIGHT LED DRIVER

R6 Values
 For Toshiba LTA057A344F use 4.42, 1%
 For OKAYA RV640480T-5X7WP-A5 use 1.43, 1%
 For OKAYA RV320240T-5X7WP-B2 use 3.32, 1%
 For OKAYA RH320240T-3X5WP-A use 10.0, 1%

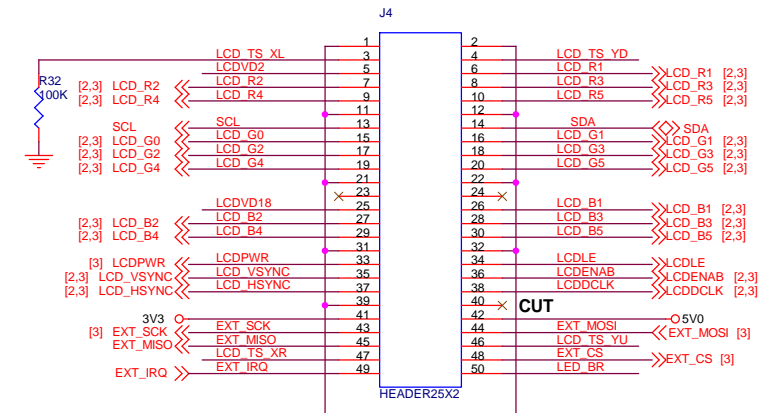


BRD-TO-BRD (FEMALE RA)

NOTE: PLUG PIN 40 FOR KEYING

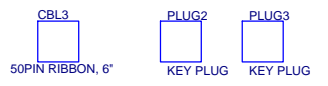


OPTION FOR SIDE X SIDE MOUNTING



BRD-TO-BRD (MALE FOR RIBBON)

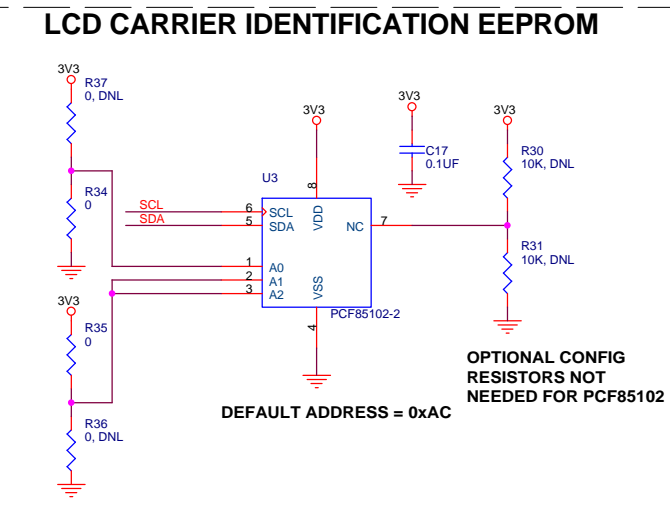
NOTE: CUT PIN 40 FOR KEYING



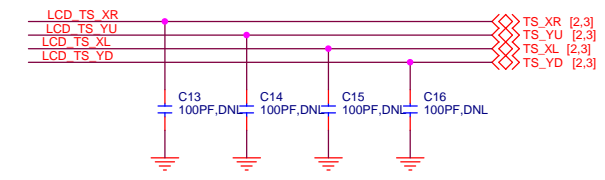
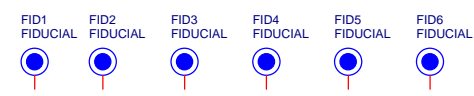
NOTE: PLUG PIN 40 FOR KEYING ON BOTH ENDS

SUPPORTED LCDS		OPTION RESISTORS						
Vendor	P/N	Size	Resolution	R6	R19	R38	R20	R33
Okaya	RV640480T-5X7WP-A5	5.7"	640 x 480	1.43 1% DNL	0R0	DNL	0R0	
Okaya	RV320240T-5X7WP-B2	5.7"	320 x 240	3.32 1% DNL	0R0	0R0	DNL	
Toshiba	LTA057A344F	5.7"	320 x 240	4.42 1% DNL	DNL	0R0	DNL	
Okaya	RH320240T-3X5WP-A	3.5"	320 x 240	10.0 1% N/A	N/A	N/A	N/A	

DEFAULT



OPTIONAL CONFIG RESISTORS NOT NEEDED FOR PCF85102
 DEFAULT ADDRESS = 0xAC



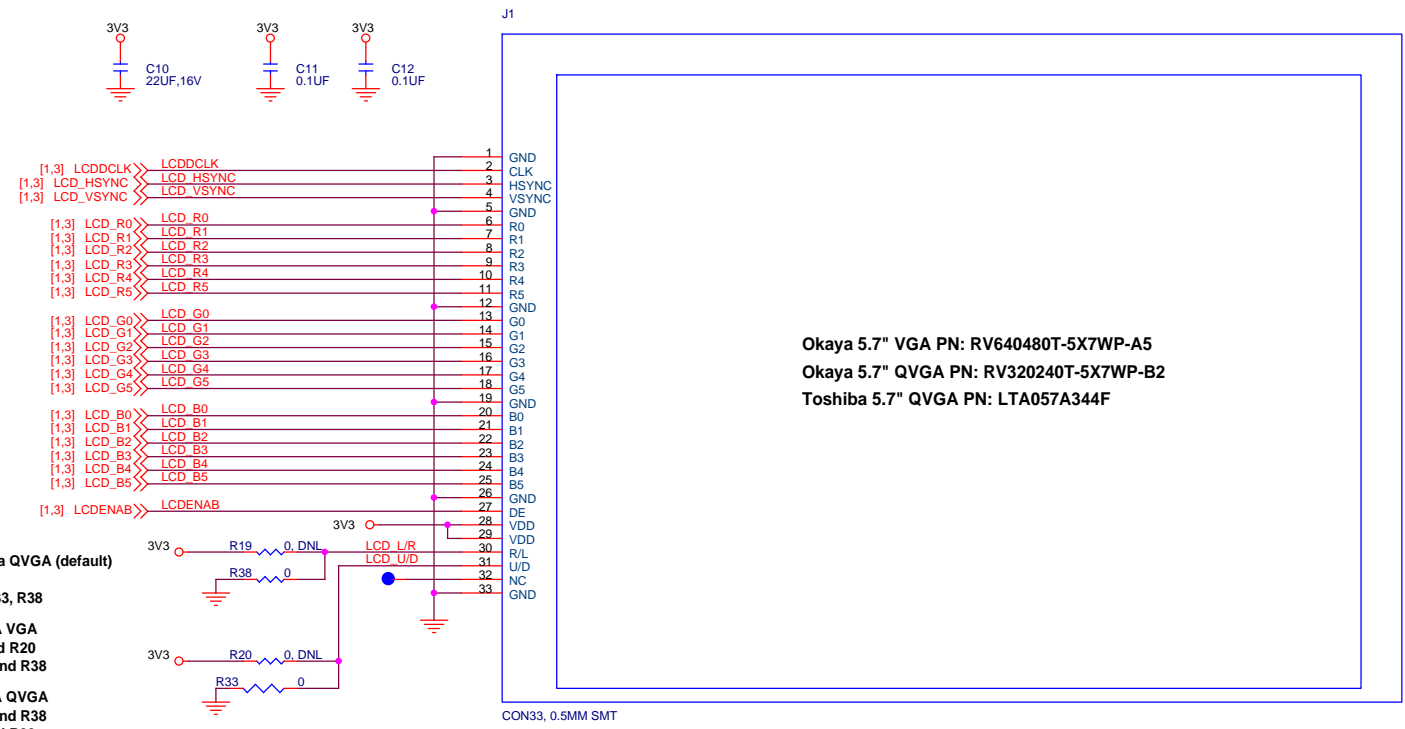
TOUCHSCREEN

These Spacers Are Only Required For Okaya 5.7" Displays

- Z1 Hex Nut, 8-32 Thread, 11/32" W, 1/8" H, Zinc
- Z2 Hex Nut, 8-32 Thread, 11/32" W, 1/8" H, Zinc
- Z3 Hex Nut, 8-32 Thread, 11/32" W, 1/8" H, Zinc
- Z4 Hex Nut, 8-32 Thread, 11/32" W, 1/8" H, Zinc

REQUIRED FOR OKAYA 5.7" DISPLAYS ONLY

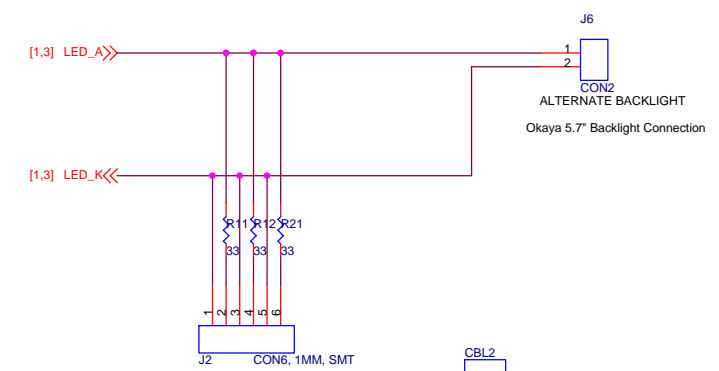




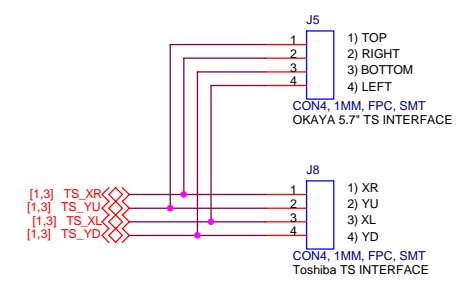
FOR Toshiba QVGA (default)
 LOAD R20
 DNL R19, R33, R38

FOR OKAYA VGA
 DNL R19 and R20
 LOAD R33 and R38

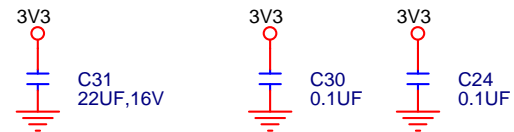
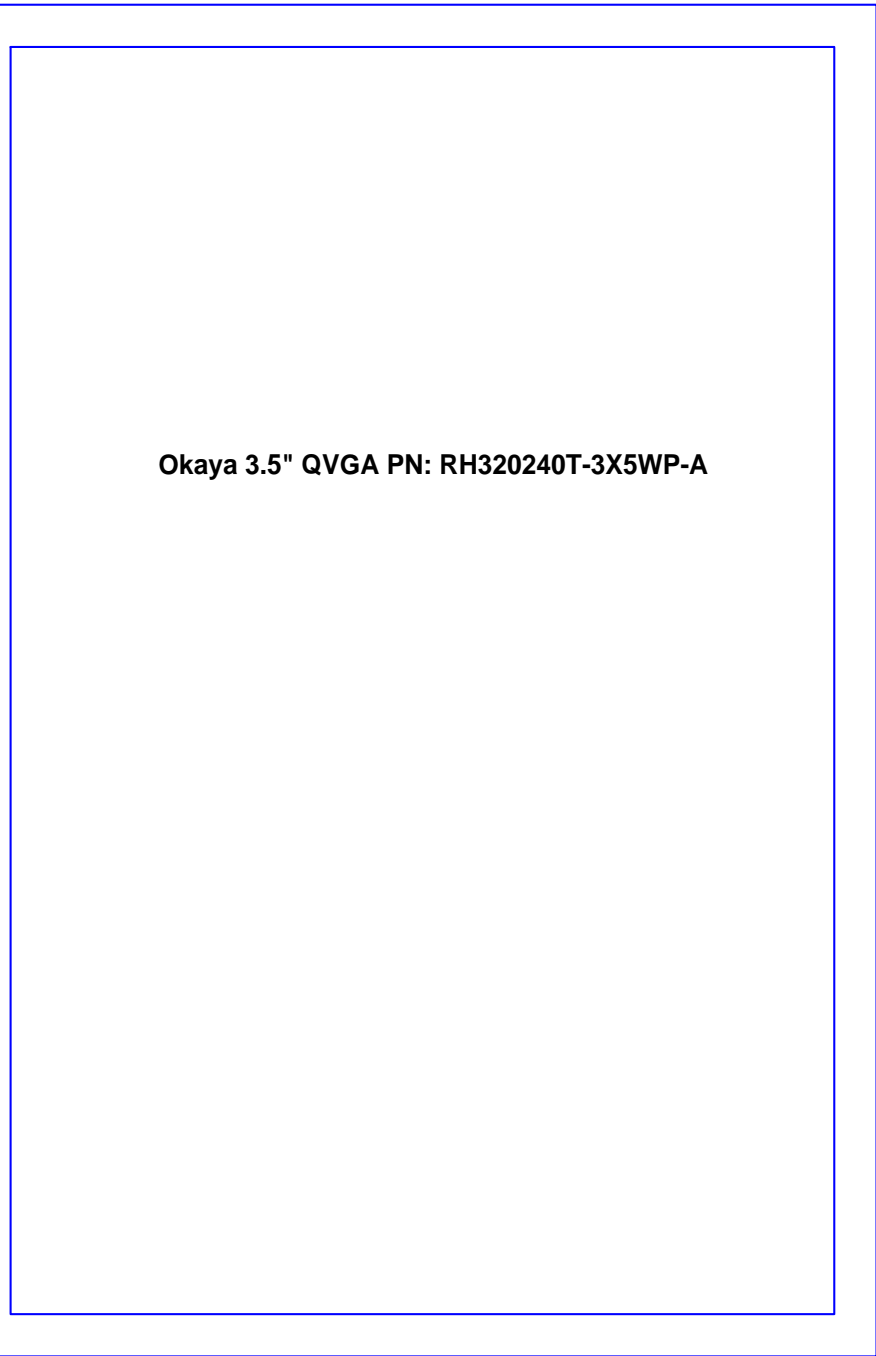
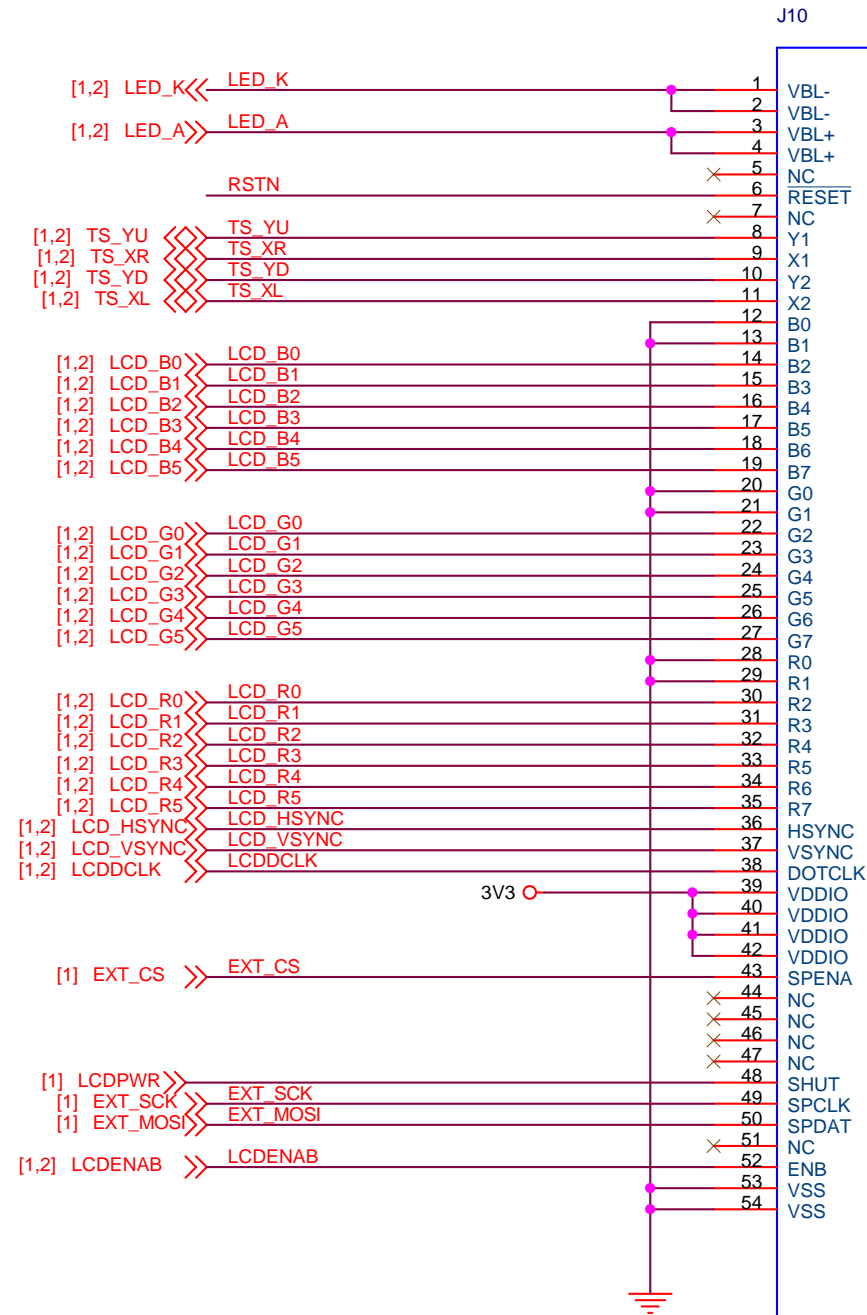
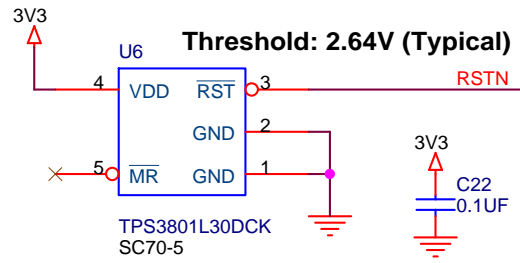
FOR OKAYA QVGA
 LOAD R20 and R38
 DNL R19 and R33



LED BACKLIGHT



CBL1
 33PIN, 0.5MM FPC, 2"
 Only required for displays on this page



CON54, 0.5MM SMT

FUTURE DESIGNS, INC.			www.teamfdi.com
Title 3-5 LCD CARRIER -- 3.5" Displays			
Size	Document Number		Rev 2
Date:	Monday, November 09, 2009	Sheet	3 of 3