

FDI	ENGINEERING CHANGE ORDER		ECO NO: 11-100
			Page 1 of 3
TITLE	DWG NO.	CURRENT REV	NEW REV
uEZGUI-RX 3.5	uEZGUI-RX 3.5	1.1	2

BACKGROUND:

- Implement previous rework into artwork
- Remove JTAG & MCU Config signals from expansion connector to make room for USB signals and to be compatible with EXP1 board
- Add optional support for USB Host mode to J3
- Change JTAG connector to FDI Mini-JTAG
- Add TAG-CONNECT 10-pin connector (w/o locking tabs) onto JTAG for production use

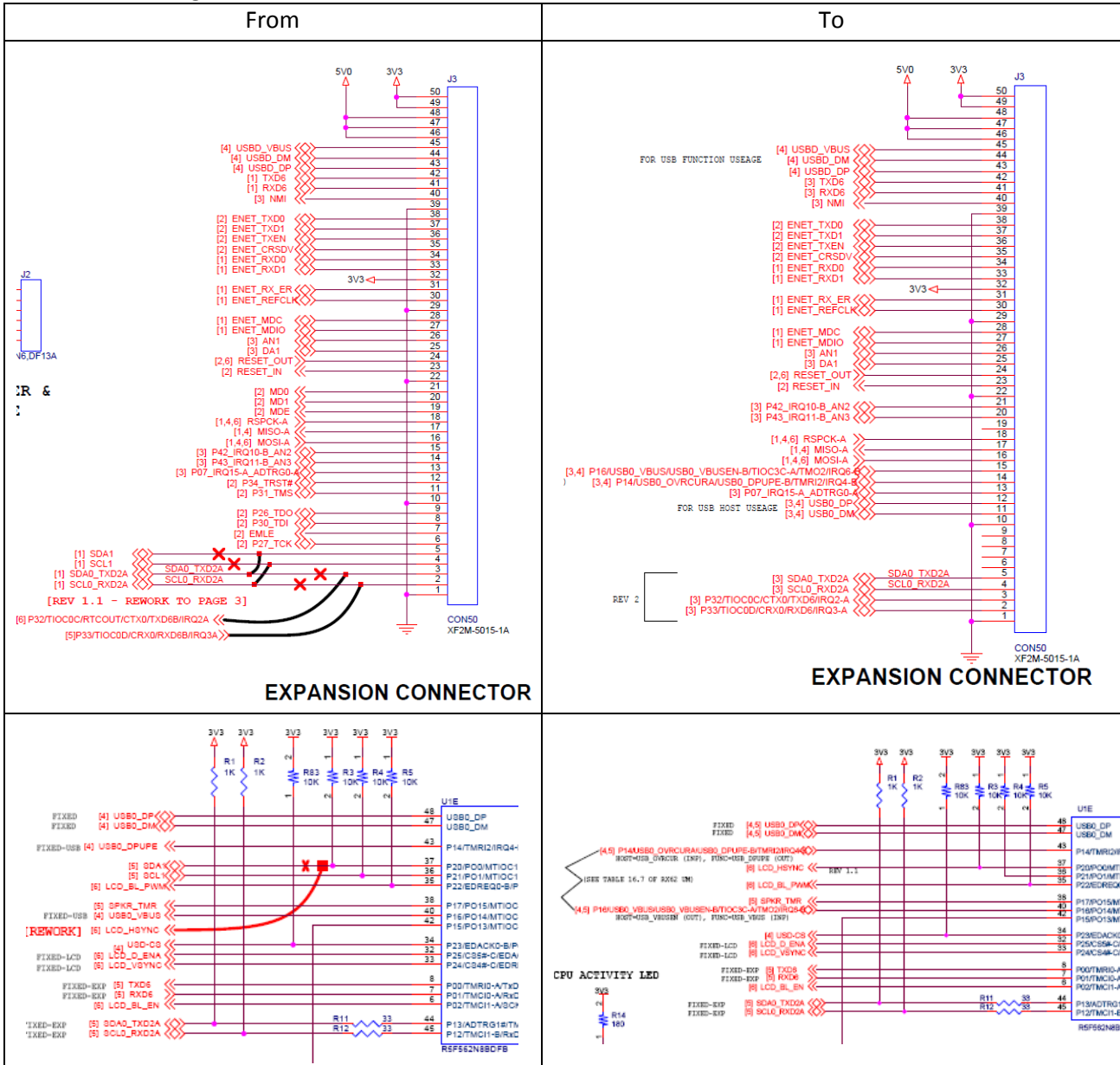
DESCRIPTION OF CHANGE:

1. Implement ECO 11-099 into artwork
2. Disconnect the following signals from J3; (JTAG & MCU Config signals)
 - a. MD0 from pin 21
 - b. MD1 from pin 20
 - c. MDE from pin 10
 - d. P34_TRST# from pin 12
 - e. P31_TMS from pin 11
 - f. P26_TDO from pin 9
 - g. P30_TDI from pin 8
 - h. EMLE from pin 7
 - i. P27_TCK from pin 6
3. Move the following connections on J3; (make room for USB signals)
 - a. P42_IRQ10-B_AN2 from pin 15 to pin 21
 - b. P43_IRQ11-B_AN3 from pin 14 to pin 20
4. Add the following connections to J3; (USB Signals)
 - a. P16/USB0_VBUS/USB0_VBUSEN-B/TIOC3C-A/TMO2/IRQ6-B to pin 15
 - b. P14/USB0_OVRCURA/USB0_DPUPE-B/TMRI2/IRQ4-B to pin 14
 - c. USB0_DP to pin 12
 - d. USB0_DM to pin 11

Reason for change: 1. Implement previous rework into artwork 2. Adjust expansion connector for better EXP1 support on USB host		Disposition/Affectivity	
		Use as is	X
		Rework to ECO	
		Scrap & Rebuild	
		Record Change Only	x
Prepared by:	MH	Date:	10/19/2011
Approved by:		Date:	
Approved by:		Date:	
Approved by:		Date:	

TITLE	DWG NO.	CURRENT REV	NEW REV
uEZGUI-RX 3.5	uEZGUI-RX 3.5	1.1	2

Schematic changes below;



Reason for change:

1. Implement previous rework into artwork
2. Adjust expansion connector for better EXP1 support on USB host

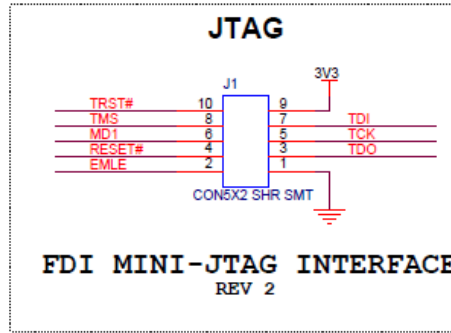
Disposition/Affectivity

Use as is	X
Rework to ECO	
Scrap & Rebuild	
Record Change Only	x

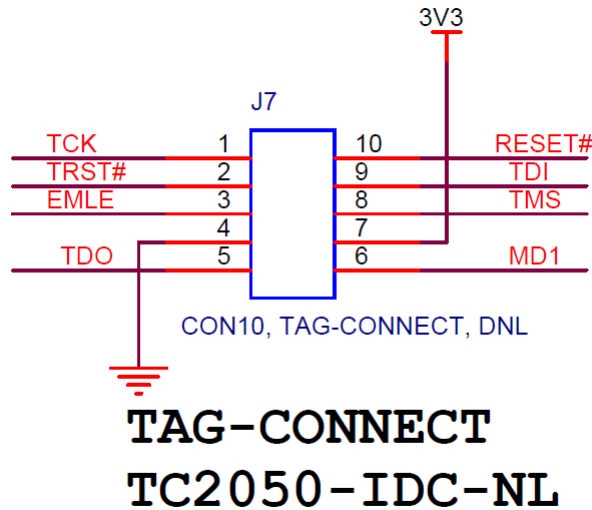
Prepared by:	MH	Date:	10/19/2011
Approved by:		Date:	
Approved by:		Date:	
Approved by:		Date:	

FDI	ENGINEERING CHANGE ORDER		ECO NO: 11-100
			Page 3 of 3
TITLE	DWG NO.	CURRENT REV	NEW REV
uEZGUI-RX 3.5	uEZGUI-RX 3.5	1.1	2

5. Change J1 from 14pin 7x2 0.1" shrouded header to 10pin 5x2 2mm shrouded header as shown below:



6. Add TAG-CONNECT 10-pin connector onto JTAG signals for production programming outside of FCT



Reason for change: 1. Implement previous rework into artwork 2. Adjust expansion connector for better EXP1 support on USB host		Disposition/Affectivity	
		Use as is	X
		Rework to ECO	
		Scrap & Rebuild	
		Record Change Only	x
Prepared by:	MH	Date:	10/19/2011
Approved by:		Date:	
Approved by:		Date:	
Approved by:		Date:	