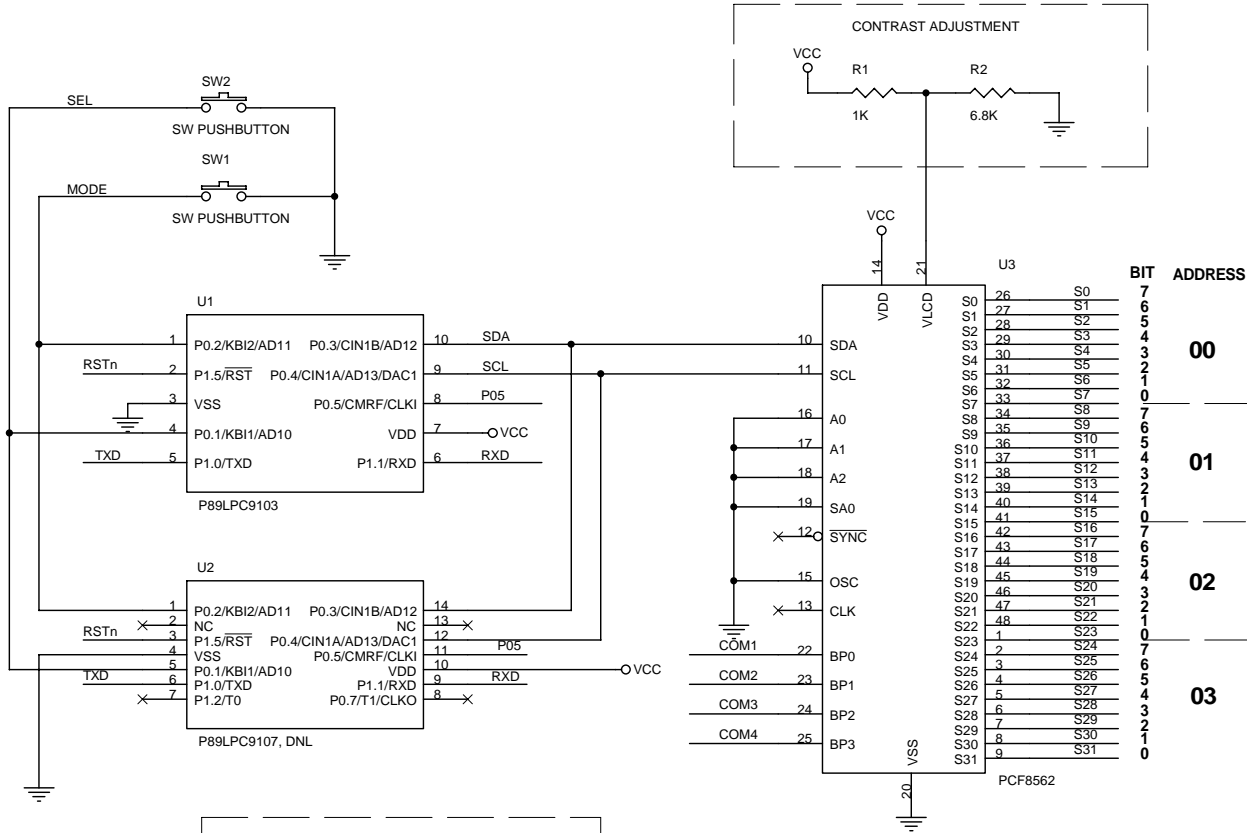


REVISION HISTORY		
REV	DATE	DESCRIPTION
0	4/29/05	INITIAL RELEASE, 4-DIGIT
1	6/3/05	CHANGE TO 8-CHAR, RE-LAYOUT
2	6/17/05	BTN TO 932, CONTRAST VALUES, 10PIN P1



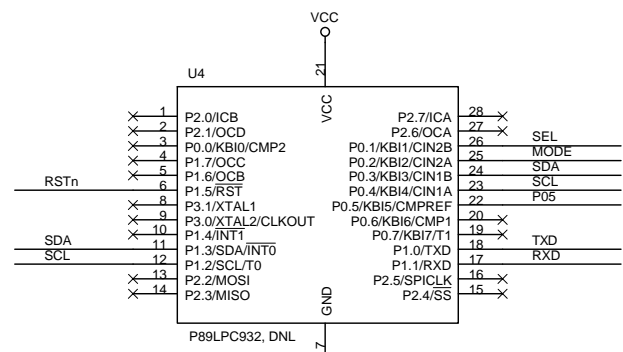
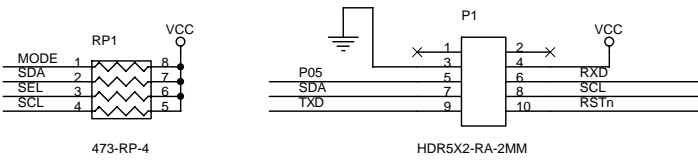
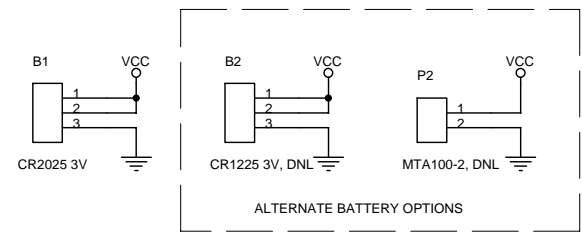
BIT	ADDRESS
7	00
6	01
5	02
4	03
3	
2	
1	
0	

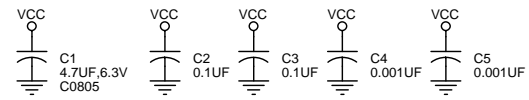
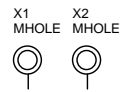
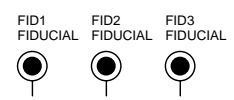
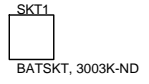
BIT	ADDRESS
7	00
6	01
5	02
4	03
3	
2	
1	
0	



LCD1  
LCD-8CHAR, PD-878



I2C HERE FOR COMPATIBILITY AND ICP



<b>FUTURE DESIGNS, INC.</b>			www.teamfdi.com
Title: PHILIPS LCD DEMO			
Size:	Document Number		Rev 2
Date:	Friday, June 17, 2005	Sheet	1 of 1