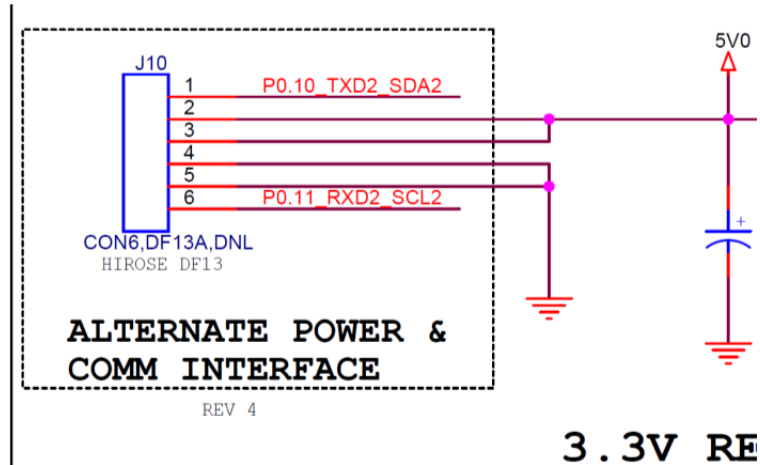


FDI	ENGINEERING CHANGE ORDER		ECO NO: 12-115
			Page 1 of 1
TITLE	DWG NO.	CURRENT REV	NEW REV
uEZGUI4.3	uEZGUI4.3	5	5.1

BACKGROUND:

- Change J10 from a DNL to a load.



Reason for change: 1. Give customer alternate to expansion header.		Disposition/Affectivity	
		Use as is	x
		Rework to ECO	
		Scrap & Rebuild	
		Record Change Only	x
Prepared by:	CS	Date:	8/20/2012
Approved by:		Date:	
Approved by:		Date:	
Approved by:		Date:	