

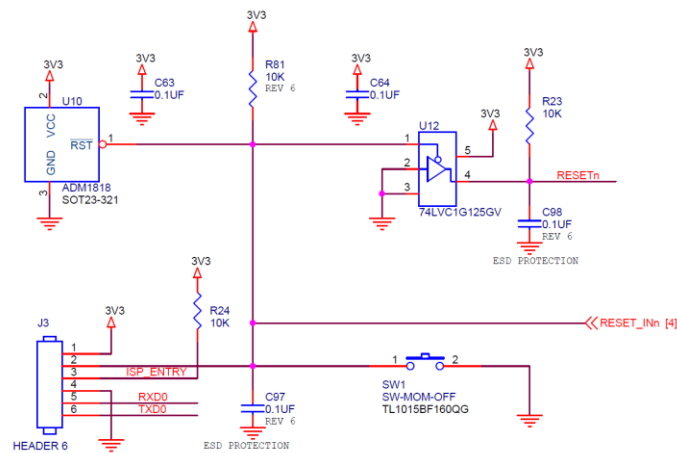
FDI	ENGINEERING CHANGE ORDER		ECO NO: 12-119
			Page 1 of 2
TITLE	DWG NO.	CURRENT REV	NEW REV
uEZGUI4.3	uEZGUI4.3	5.1	6

BACKGROUND:

- Add ESD protection components to reset signals
- Change RTC battery diode to low drop, low leakage device

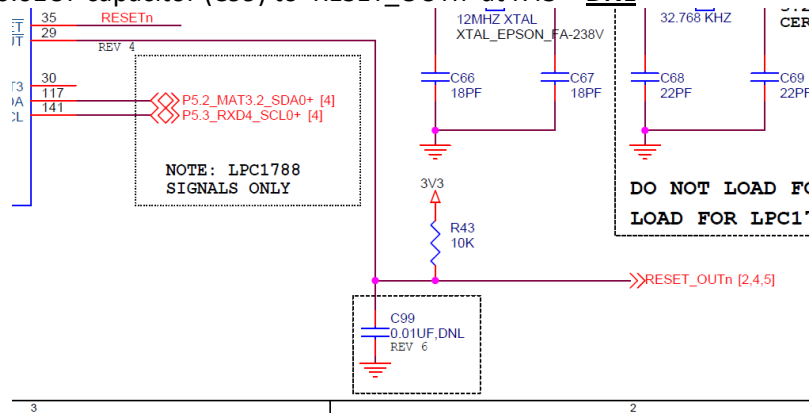
DESCRIPTION OF CHANGE:

1. Add 0.1UF capacitor (C97) to 'RESET_Inn' at U12 pin 1
2. Add 0.1UF capacitor (C98) to 'RESETn' at U12 pin 4
3. Add 10K pullup resistor (R81) at U10 pin 1



POWER-ON RESET CIRCUIT

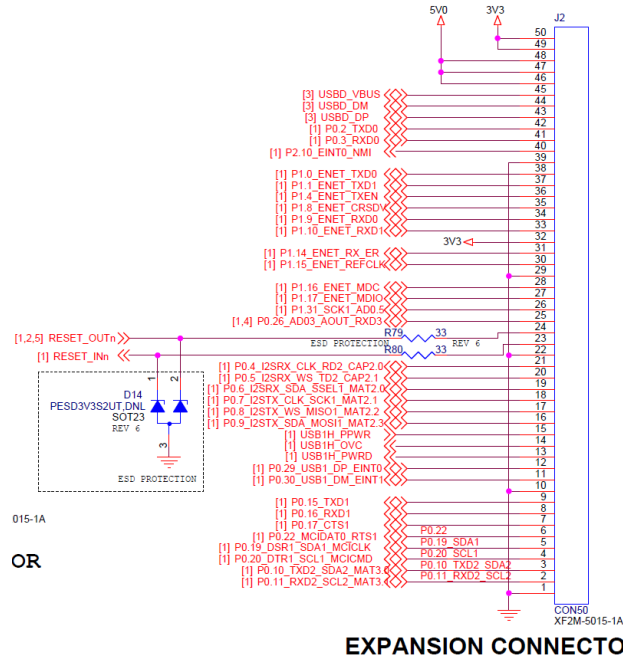
4. Add optional 0.01UF capacitor (C99) to 'RESET_OUTn' at R43 – **DNL**



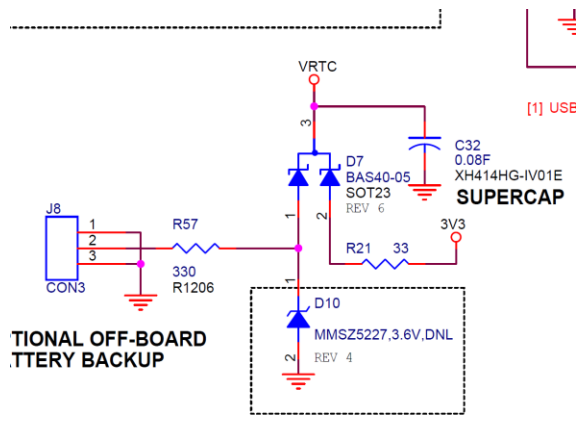
Reason for change: 1. Add ESD protection components 2. Change RTC battery diode to low drop, low leakage device		Disposition/Affectivity	
		Use as is	x
		Rework to ECO	
		Scrap & Rebuild	
		Record Change Only	x
Prepared by:	MH	Date:	10/15/2012
Approved by:	BF	Date:	10/15/2012
Approved by:		Date:	
Approved by:		Date:	

FDI	ENGINEERING CHANGE ORDER		ECO NO: 12-119
			Page 2 of 2
TITLE	DWG NO.	CURRENT REV	NEW REV
uEZGUI4.3	uEZGUI4.3	5.1	6

- Add 33ohm resistor (R79) in series to 'RESET_OUTn' to J2 pin 24
- Add 33ohm resistor (R80) in series to 'RESET_INn' to J2 pin 23
- Add OPTIONAL ESD protection diode, PESD3V3S2UT (D14) to 'RESET_OUTn' and 'RESET_INn' – **DO NOT LOAD**



- Change D7 to BAS40-05



Reason for change: 1. Add ESD protection components 2. Change RTC battery diode to low drop, low leakage device		Disposition/Affectivity	
		Use as is	x
		Rework to ECO	
		Scrap & Rebuild	
		Record Change Only	x
Prepared by:	MH	Date:	10/15/2012
Approved by:	BF	Date:	10/15/2012
Approved by:		Date:	
Approved by:		Date:	