

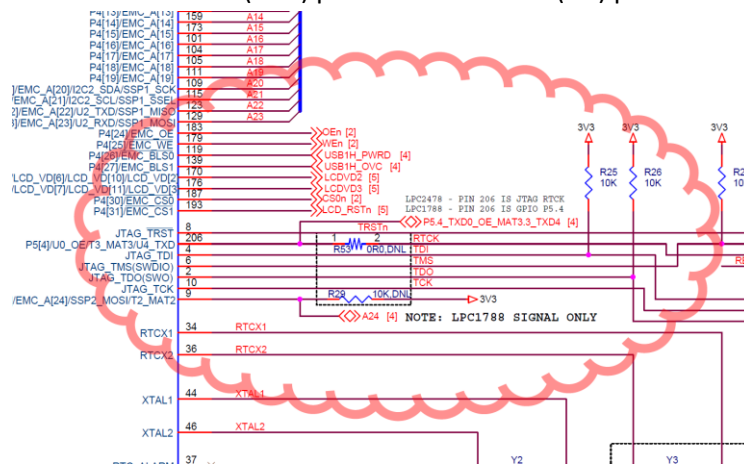
FDI	ENGINEERING CHANGE ORDER		ECO NO: 13-021
			Page 1 of 3
TITLE	DWG NO.	CURRENT REV	NEW REV
uEZGUI-1788-43WQR	uEZGUI-1788-43WQR-BA	6.2	7

BACKGROUND:

- Add support for 32MB NOR FLASH with LPC1788
- In supporting the Sharp DG28 LCD on Rev5, which added LCD Sleep/Reset, P0.31 was added to control to drive LCD Sleep/Reset. This signal (P1.31) also goes to the expansion connector. This may cause issues with customers that use P1.31 and do not realize the potential conflict. As a result, zero ohm resistor options are being added to alternatively move the pin from connecting to the expansion connector with alternate P5.1
- The SMT Speaker is no longer available. An SMT Annunciator is being added as a replacement. The SMT Speaker footprint remains for special requirements only.
- Change silkscreen labeling to show the product part number: uEZGUI-1788-43WQR-BA

DESCRIPTION OF CHANGE:

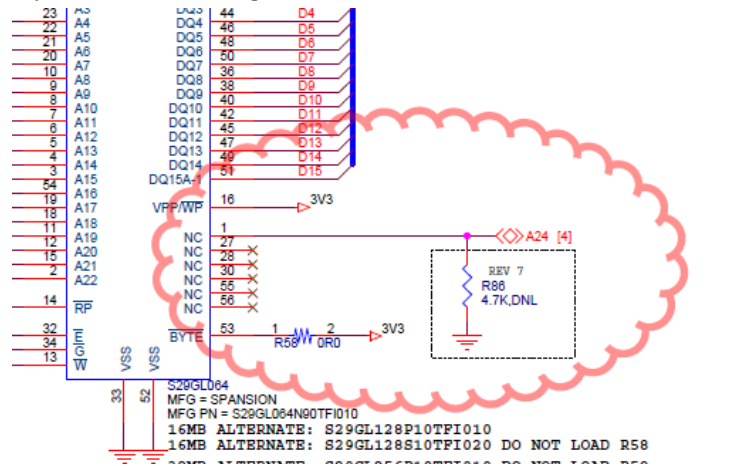
1. Add connection 'A24' from LPC1788 (U11) pin 9 to NOR FLASH (U9) pin 1



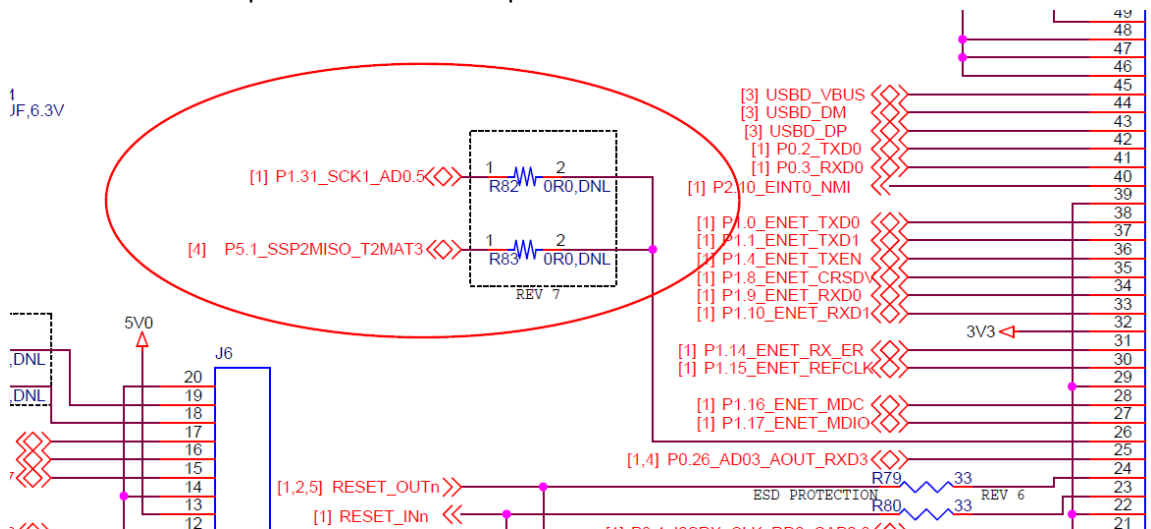
Reason for change: 1. Add support for larger NOR Flash 2. Correct P0.31 connectivity to exp connector 3. Change SMT speaker to SMT annunciator 4. Change design name to reflect actual part number		Disposition/Affectivity	
		Use as is	x
		Rework to ECO	
		Scrap & Rebuild	
		Record Change Only	x
Prepared by:	MH	Date:	07/24/2013
Approved by:	TE	Date:	7/24/13
Approved by:		Date:	
Approved by:		Date:	

FDI	ENGINEERING CHANGE ORDER		ECO NO: 13-021
			Page 2 of 3
TITLE	DWG NO.	CURRENT REV	NEW REV
uEZGUI-1788-43WQR	uEZGUI-1788-43WQR-BA	6.2	7

2. Add optional 4.7K pulldown to the signal A24



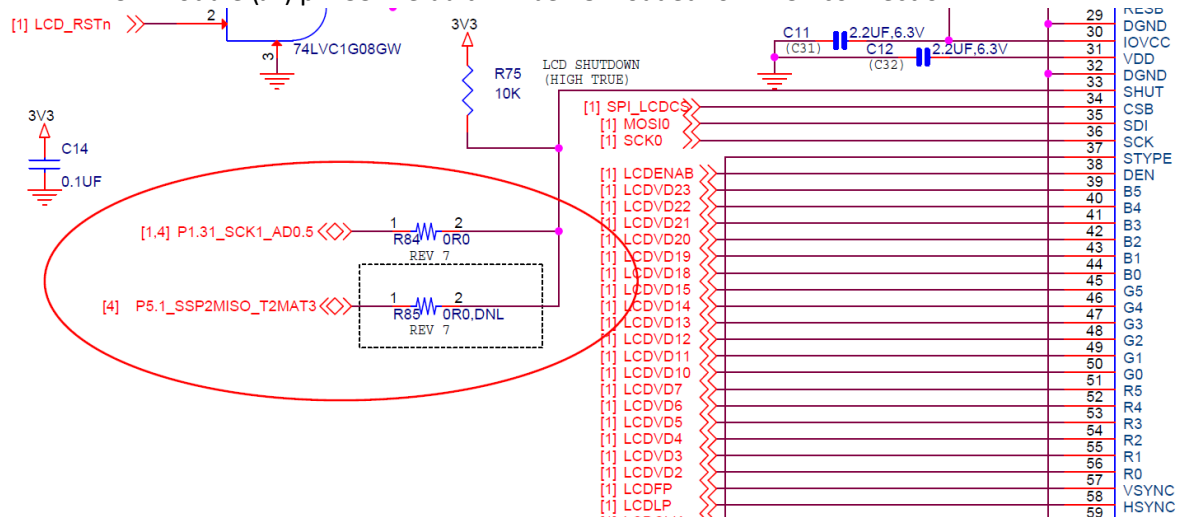
3. Add 2X optional zero ohm option resistors R82 & R83 to alternatively select P1.31 or P5.1 be connected to the expansion connector J2 pin 26. Default will be NO connection.



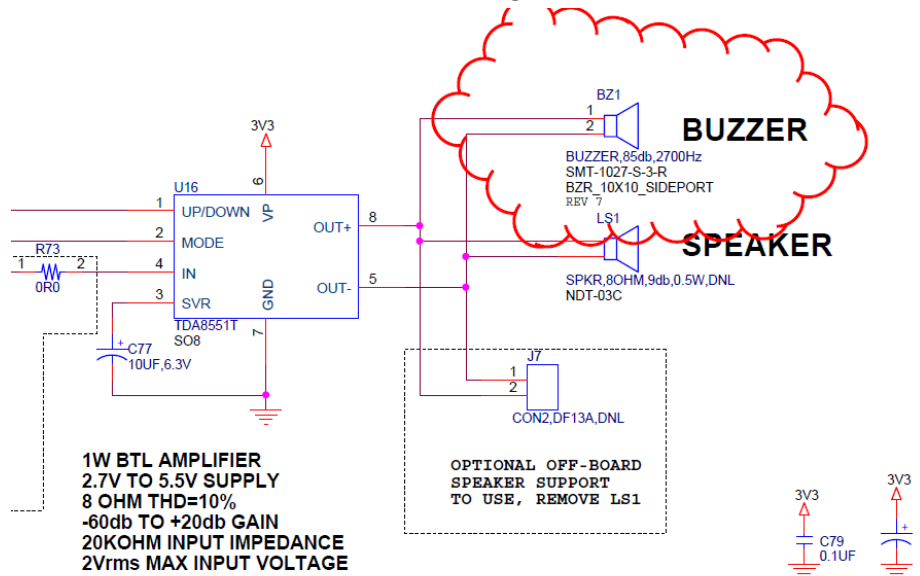
Reason for change:		Disposition/Affectivity	
1. Add support for larger NOR Flash		Use as is	x
2. Correct P0.31 connectivity to exp connector		Rework to ECO	
3. Change SMT speaker to SMT annunciator		Scrap & Rebuild	
4. Change design name to reflect actual part number		Record Change Only	x
Prepared by:	MH	Date:	07/24/2013
Approved by:	TE	Date:	7/24/13
Approved by:		Date:	
Approved by:		Date:	

FDI	ENGINEERING CHANGE ORDER		ECO NO: 13-021
			Page 3 of 3
TITLE	DWG NO.	CURRENT REV	NEW REV
ueZGUI-1788-43WQR	ueZGUI-1788-43WQR-BA	6.2	7

4. Add 2X zero ohm resistors (R84 & R85) to alternatively select P1.31 or P5.1 be connected to the LCD Module (J1) pin 33. Default will be R84 loaded for P1.31 connection.



5. Add SMT Buzzer, BZ1, PN SMT-1027-S-3-R and change the LS1 to 'DNL'



6. Change design name and silkscreen name to: "ueZGUI-1788-43WQR"

Reason for change:		Disposition/Affectivity	
1. Add support for larger NOR Flash		Use as is	x
2. Correct P0.31 connectivity to exp connector		Rework to ECO	
3. Change SMT speaker to SMT annunciator		Scrap & Rebuild	
4. Change design name to reflect actual part number		Record Change Only	x
Prepared by:	MH	Date:	07/24/2013
Approved by:	TE	Date:	7/24/13
Approved by:		Date:	
Approved by:		Date:	