

FDI	ENGINEERING CHANGE ORDER		ECO NO: 15-010
			Page 1 of 1
TITLE	DWG NO.	CURRENT REV	NEW REV
uEZGUI-1788-43WQR	uEZGUI-1788-43WQR-BA	7.2	7.3
uEZGUI-1788-43WQR-NT	uEZGUI-1788-43WQR-BA-NT	7.2	7.3

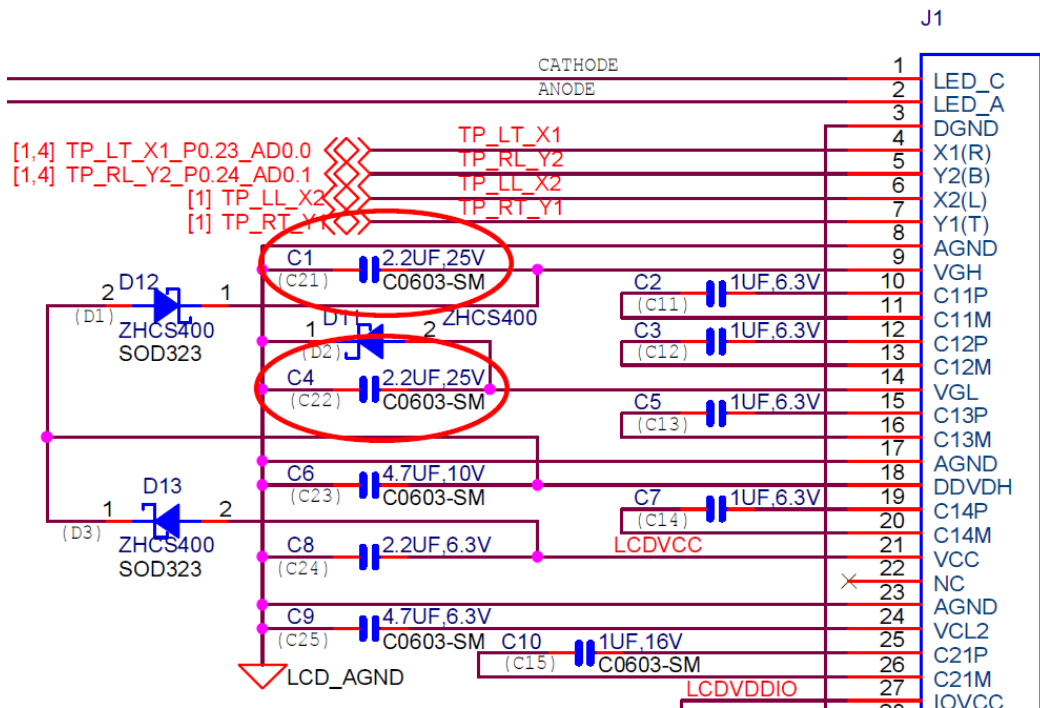
BACKGROUND:

- Change two capacitors to increase the voltage rating. This will provide better voltage tolerance and increase the reliability of the LCD circuit. No modifications to PCB artwork or rework of existing units is needed.

DESCRIPTION OF CHANGE:

1. Change C1 & C4 from 2.2uF, 10V (FDI PN C500274) to 2.2uF, 25V (FDI PN C500394). No change in PCB footprint and the capacitor tolerance improves from 20% to 10%.

SHARP LCD (DG28)



Reason for change: 1. Change two capacitors to increase the voltage rating.		Disposition/Affectivity	
		Use as is	X
		Rework to ECO	
		Scrap & Rebuild	
		Record Change Only	x
Prepared by:	MH	Date:	5/12/15
Approved by:	TD	Date:	5/12/15
Approved by:	TE	Date:	5/12/15
Approved by:	BF	Date:	5/12/15