

REVISION HISTORY		
1/27/10	1	INITIAL RELEASE
5/3/10	1.1	MOVE SPEAKER OUTPUT, ADD CAP, REWORK SUPERCAP
5/18/10	2	INCORPORATE REWORK INTO ARTWORK AND CHANGE ACCELEROMETERS, CHANGE PWR_LED TO STATUS, DNL D5, ENLARGE MTG HOLES, RECONFIGURE AND MOVE SPKR OUTPUT
4/01/11	3	MODIFICATIONS TO SUPPORT LPC1788 & TO MORE CLOSELY MATCH THE UEGUI17
3/08/2012	4	SPLIT RESET_OUT, ADD PCT & PWR/COMM, CHANGE BL DEFAULT TO DISABLED
5/31/2012	5	CHANGE LCD INTERFACE TO SUPPORT "DG28" MODULE
10/16/2012	6	ADD ESD PROTECTION TO RESET SIGNALS

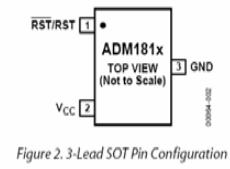
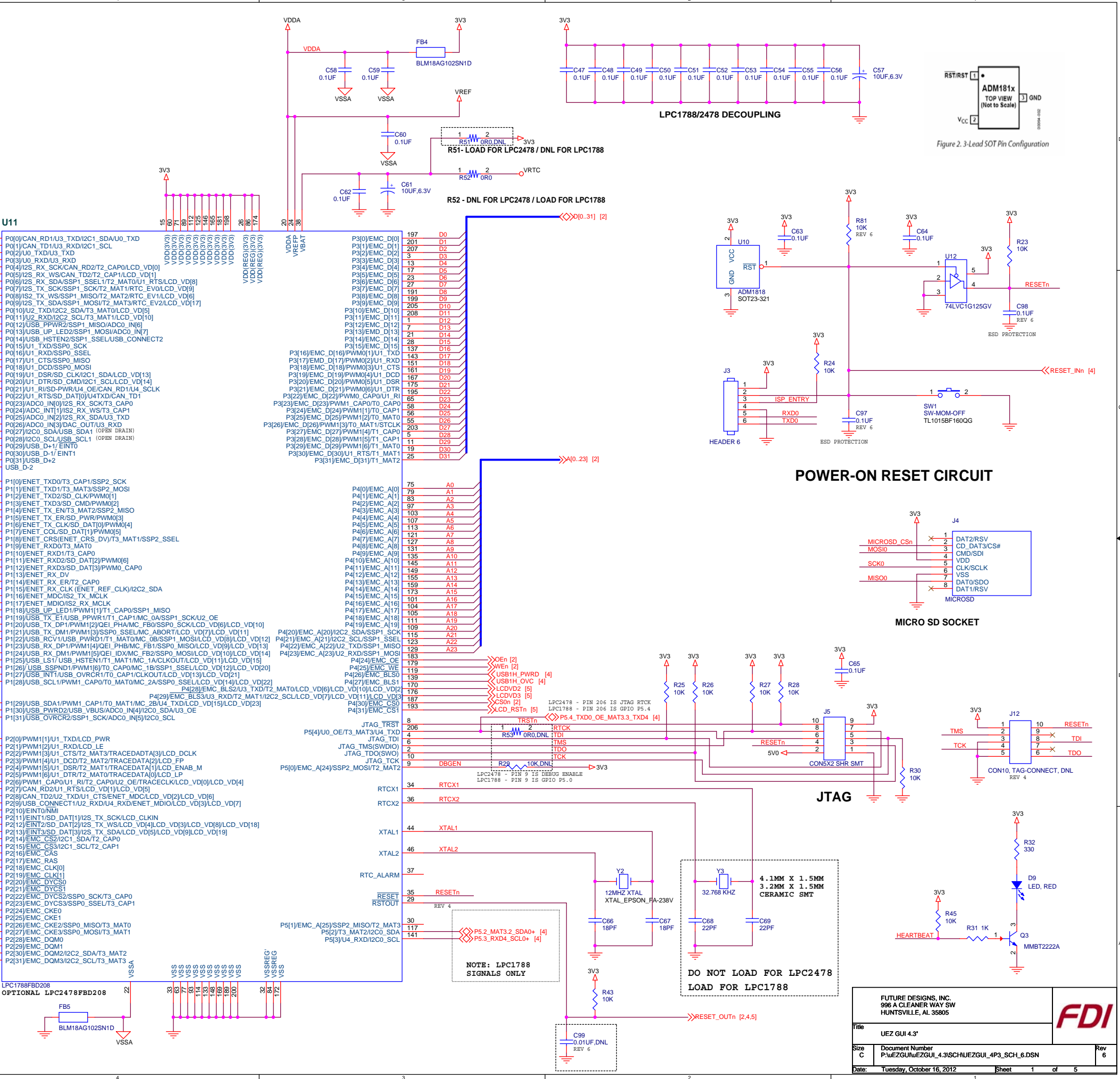
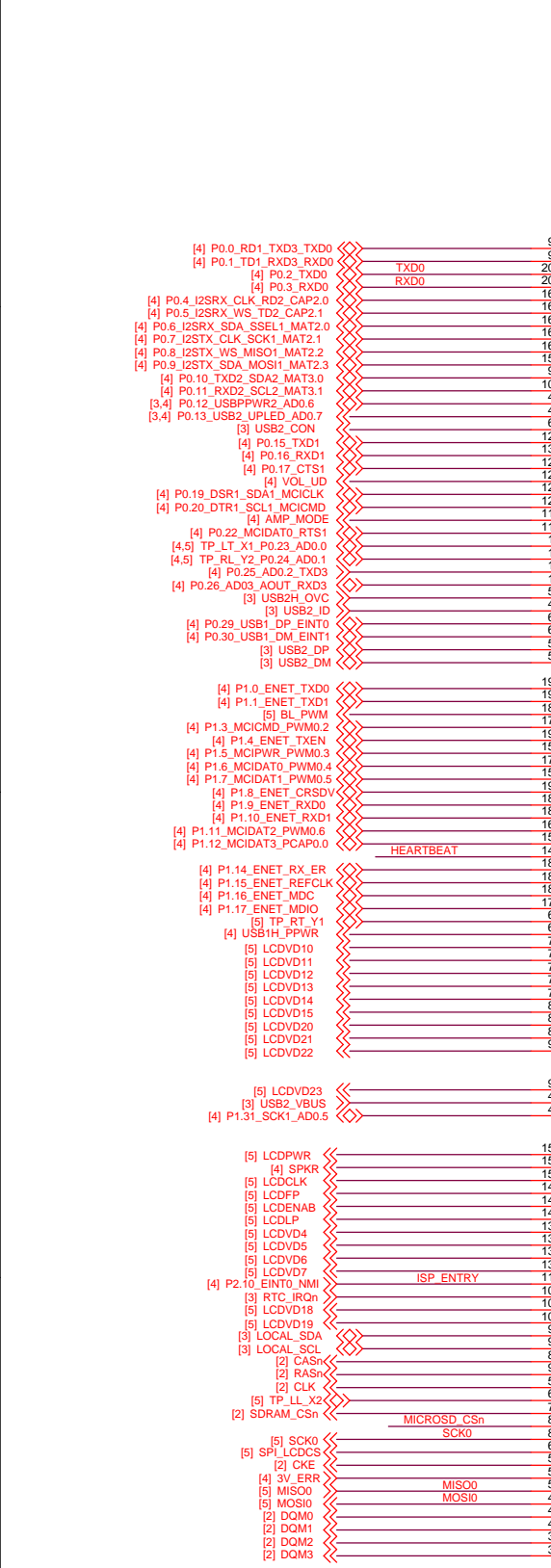
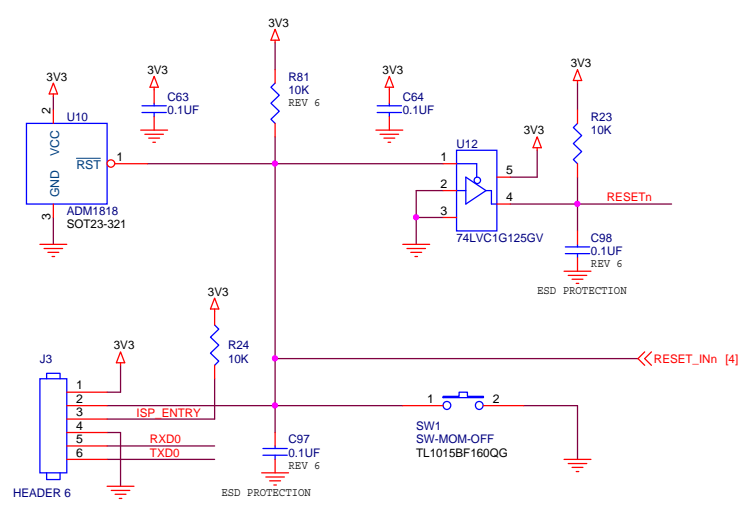
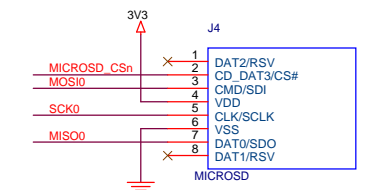


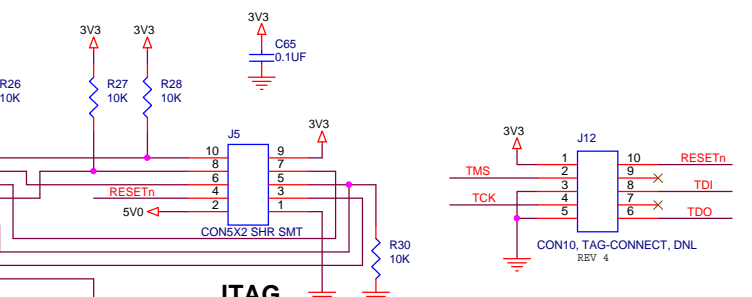
Figure 2. 3-Lead SOT Pin Configuration



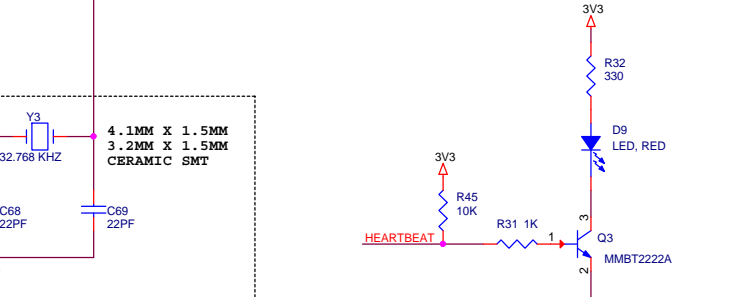
**POWER-ON RESET CIRCUIT**



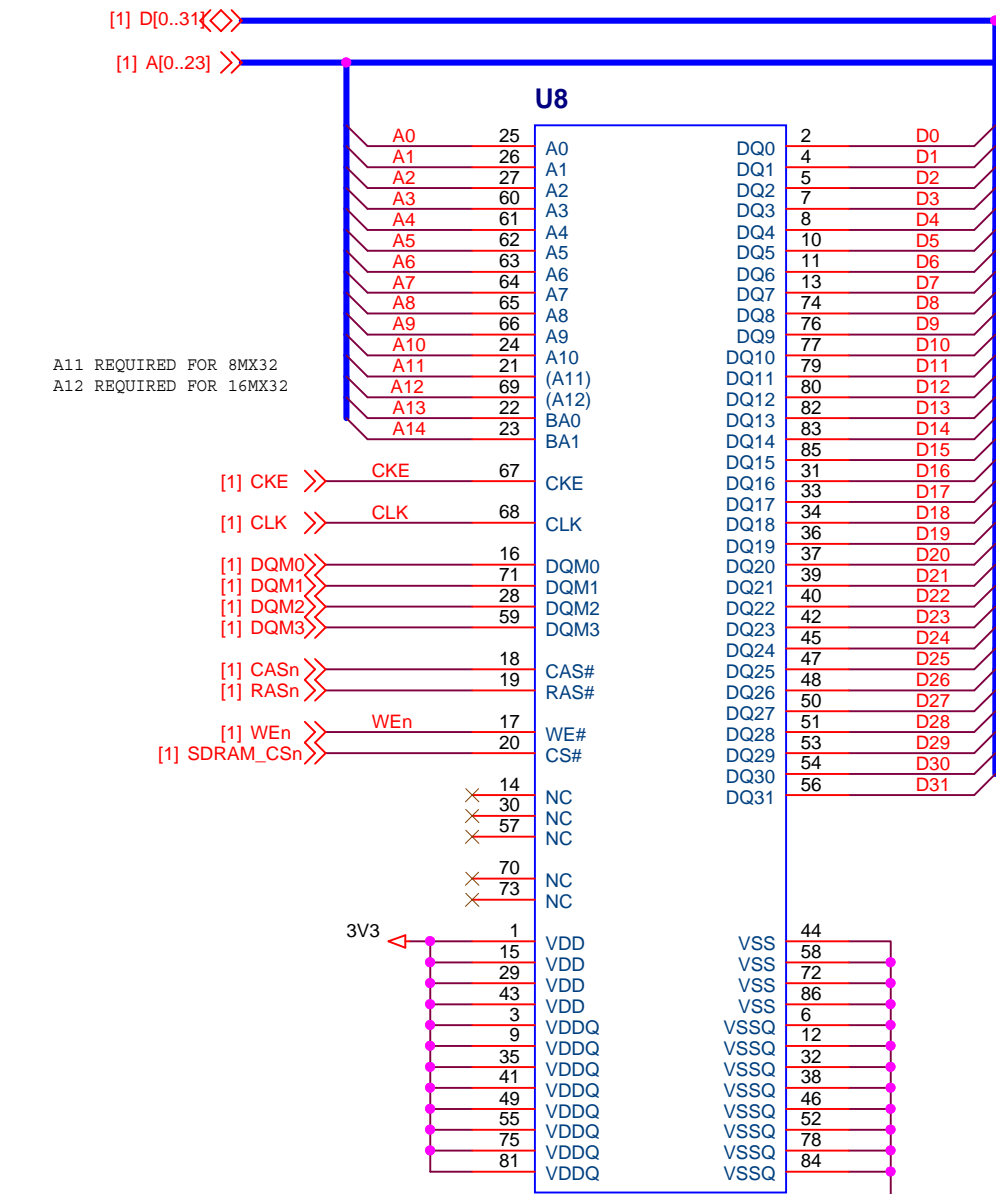
**MICRO SD SOCKET**



**JTAG**



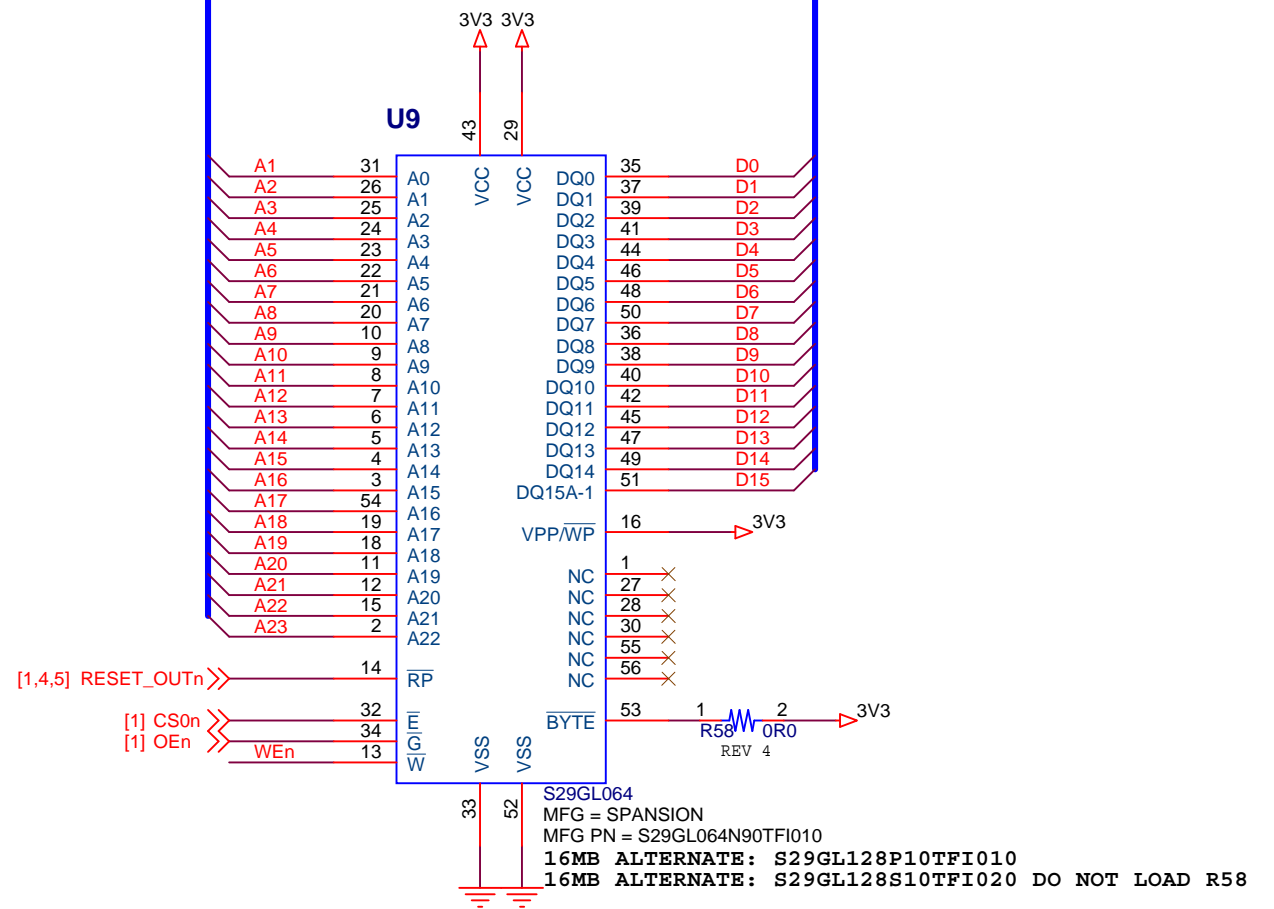
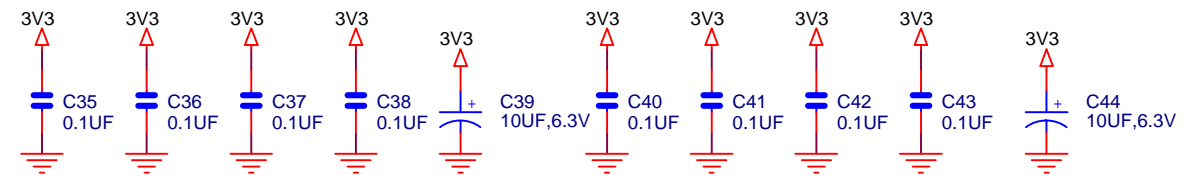
FUTURE DESIGNS, INC. 996 A CLEANER WAY SW HUNTSVILLE, AL 35805		<b>FDI</b>
Title: UEZ GUI 4.3"		
Size: C	Document Number: P1uEZGUIuEZGUI_4.3SCHUEZGUI_4P3_SCH_6.DSN	Rev: 6
Date: Tuesday, October 16, 2012	Sheet: 1 of 5	



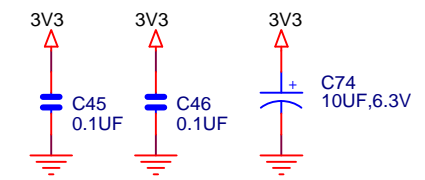
A11 REQUIRED FOR 8MX32  
A12 REQUIRED FOR 16MX32

MT48LC2M32B2P  
MT48LC4M32B2P ALTERNATE (16MB)  
IS42S32800D-7TL ALTERNATE (32MB)

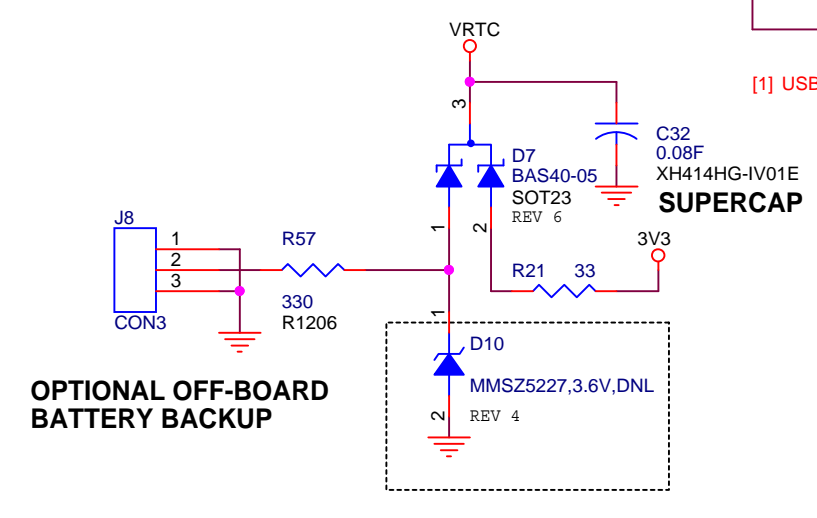
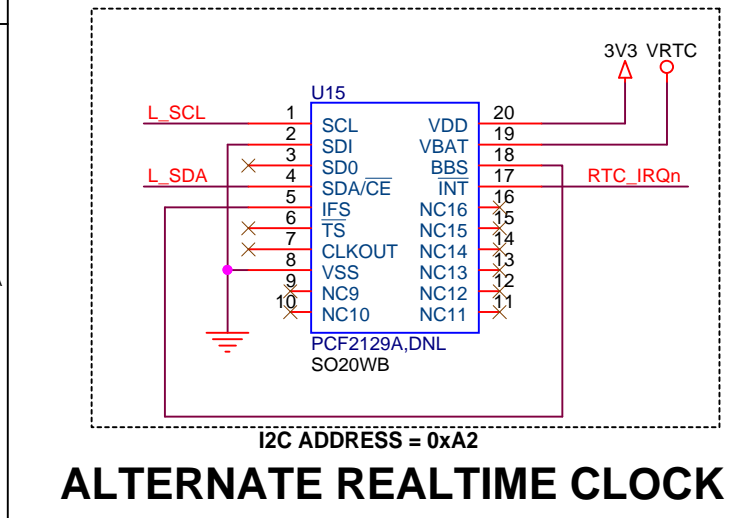
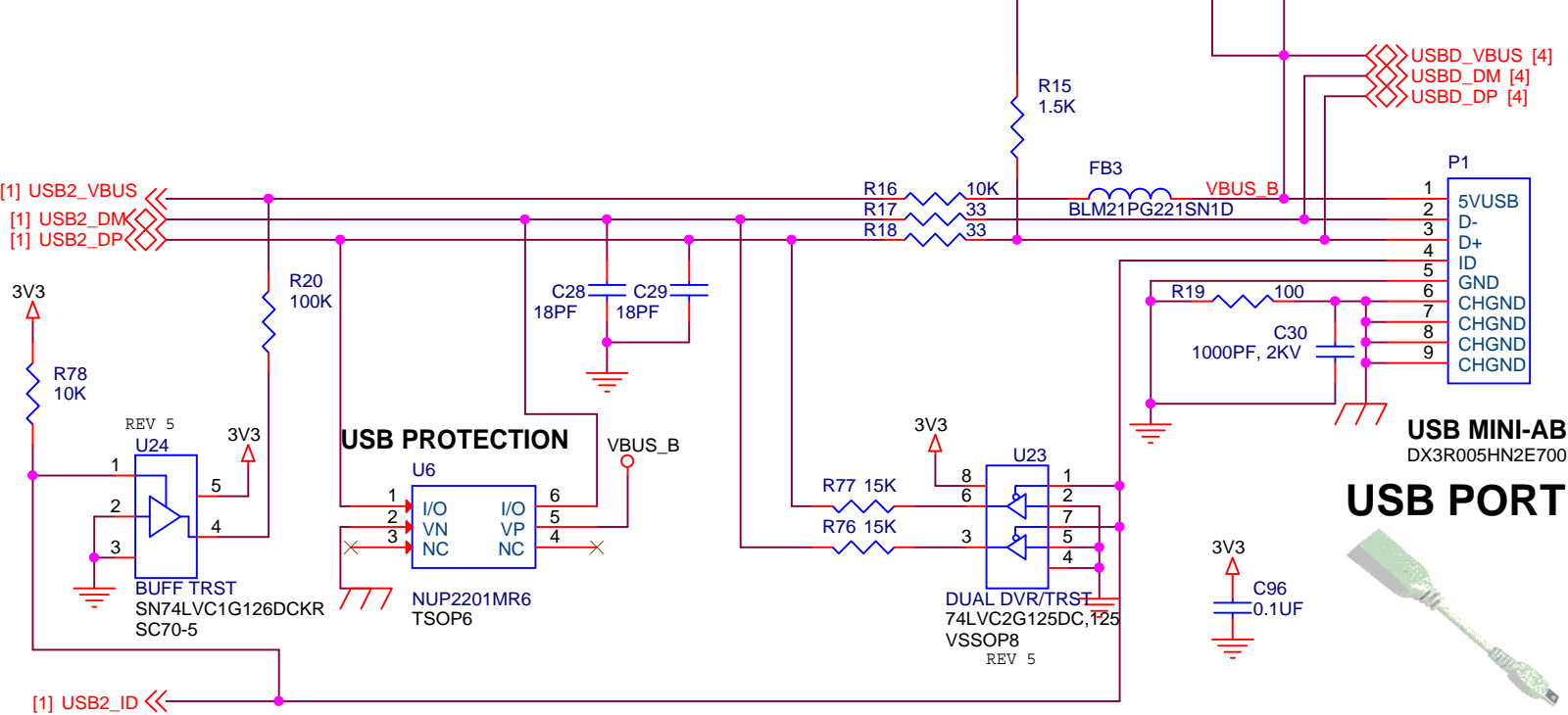
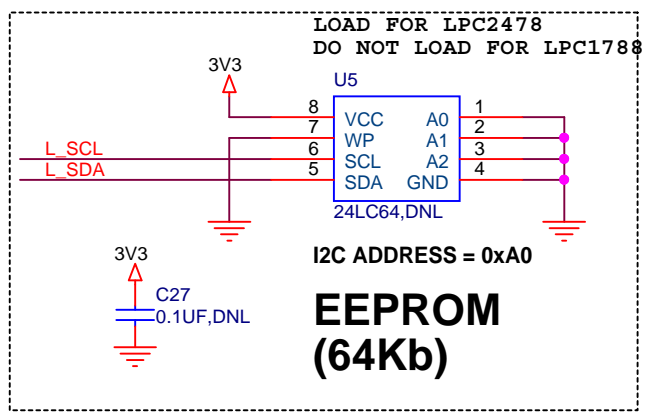
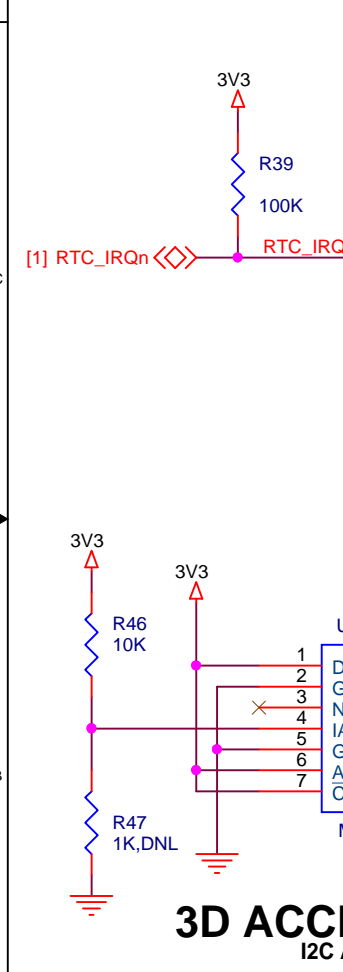
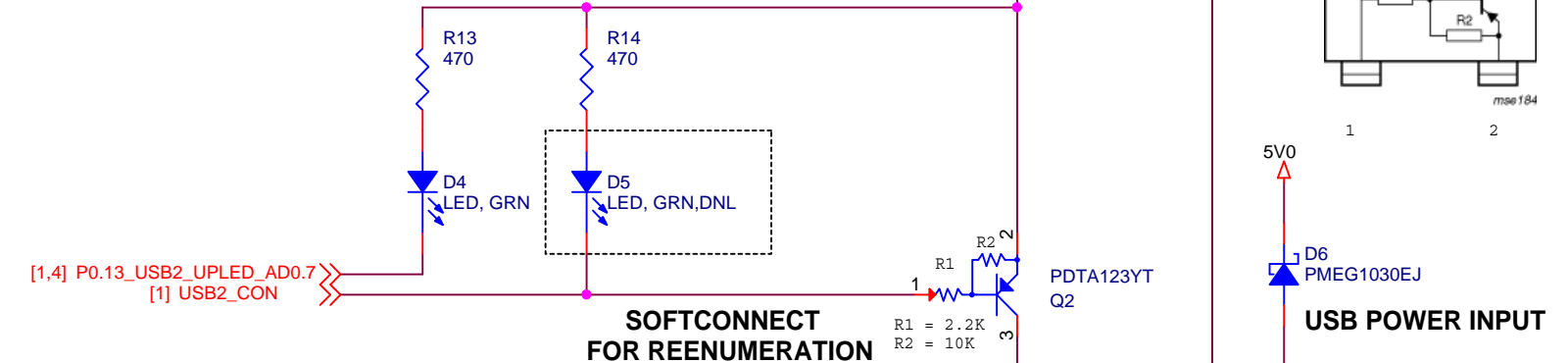
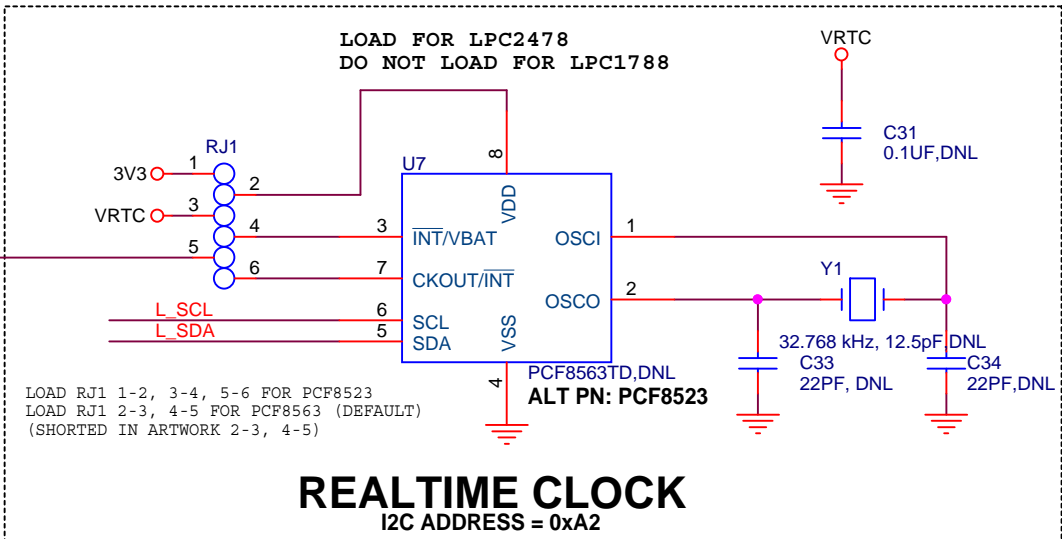
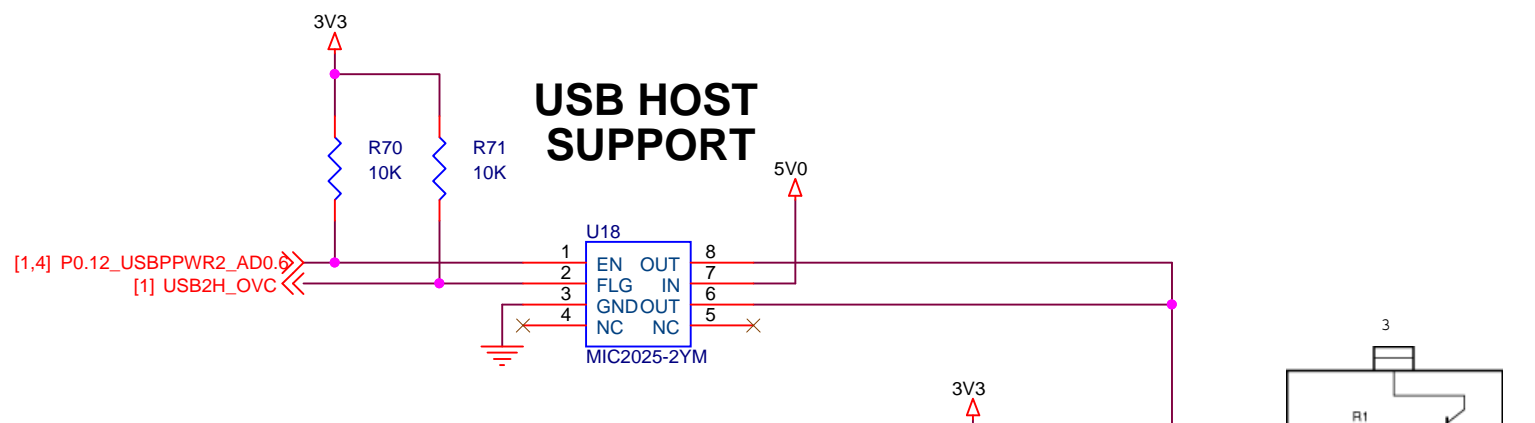
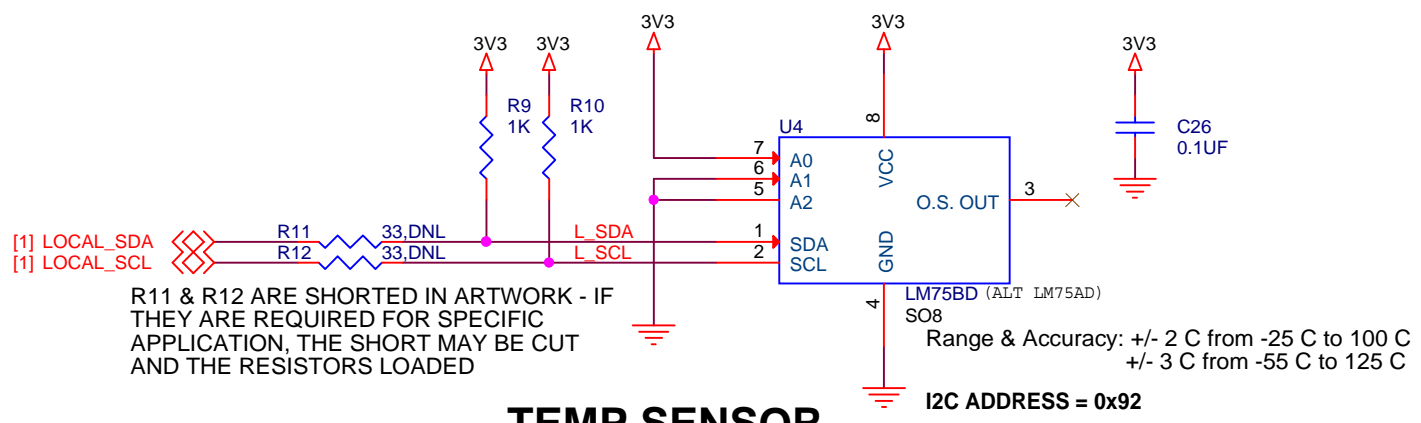
### SDRAM (8MB TO 32MB)



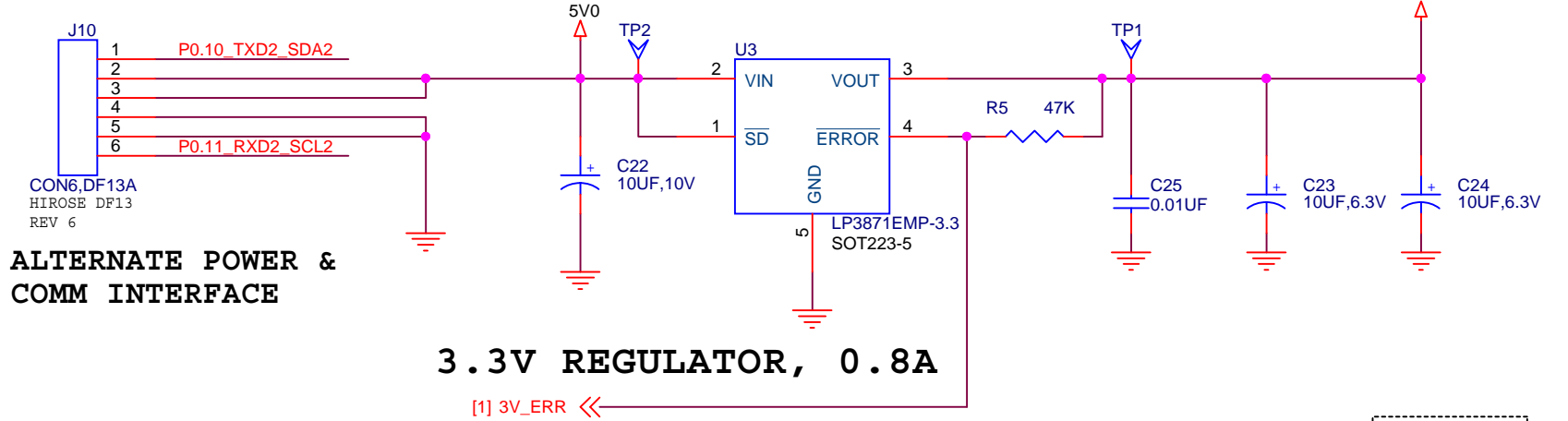
### NOR FLASH (8MB TO 16MB)



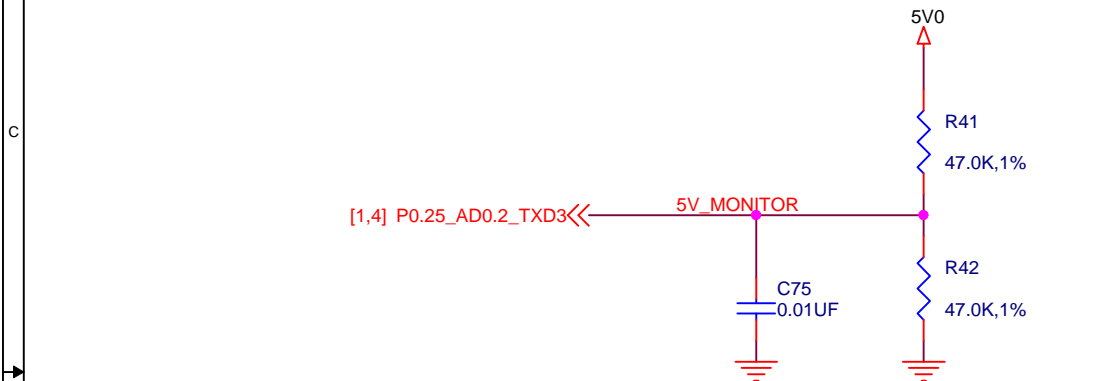
FUTURE DESIGNS, INC. 996 A CLEANER WAY SW HUNTSVILLE, AL 35805			<b>FDI</b>
Title UEZ GUI 4.3"			
Size B	Document Number P:\uEZGUI\ueZGUI_4.3\SCH\UEZGUI_4P3_SCH_6.DSN	Rev 6	
Date:	Monday, February 11, 2013	Sheet	2 of 5



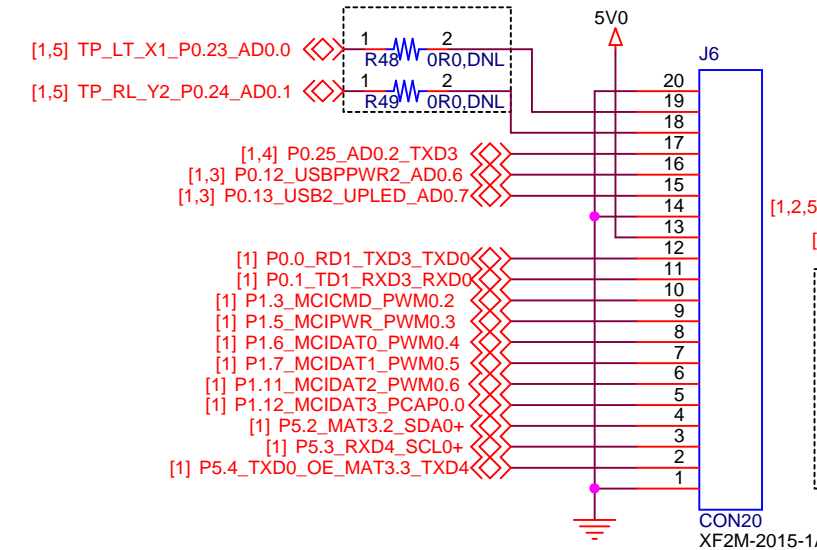
FUTURE DESIGNS, INC. 996 A CLEANER WAY SW HUNTSVILLE, AL 35805		<b>FDI</b>
Title	UEZ GUI 4.3"	
Size B	Document Number P:\uEZGUI\ueZGUI_4.3\SCH\UEZGUI_4P3_SCH_6.DSN	Rev 6
Date:	Monday, February 11, 2013	Sheet 3 of 5



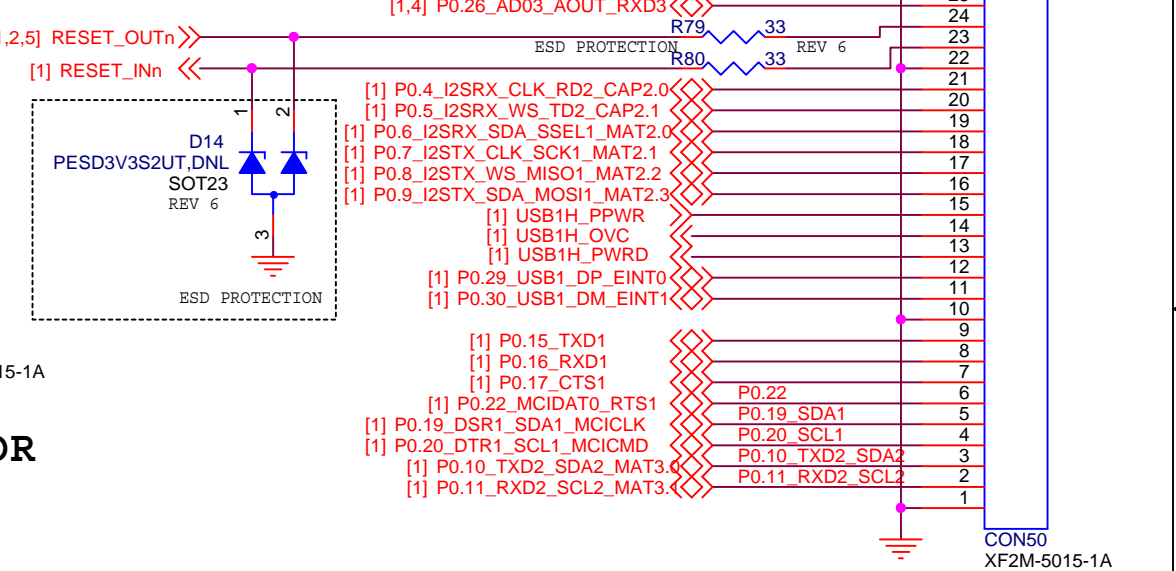
**ALTERNATE POWER & COMM INTERFACE**



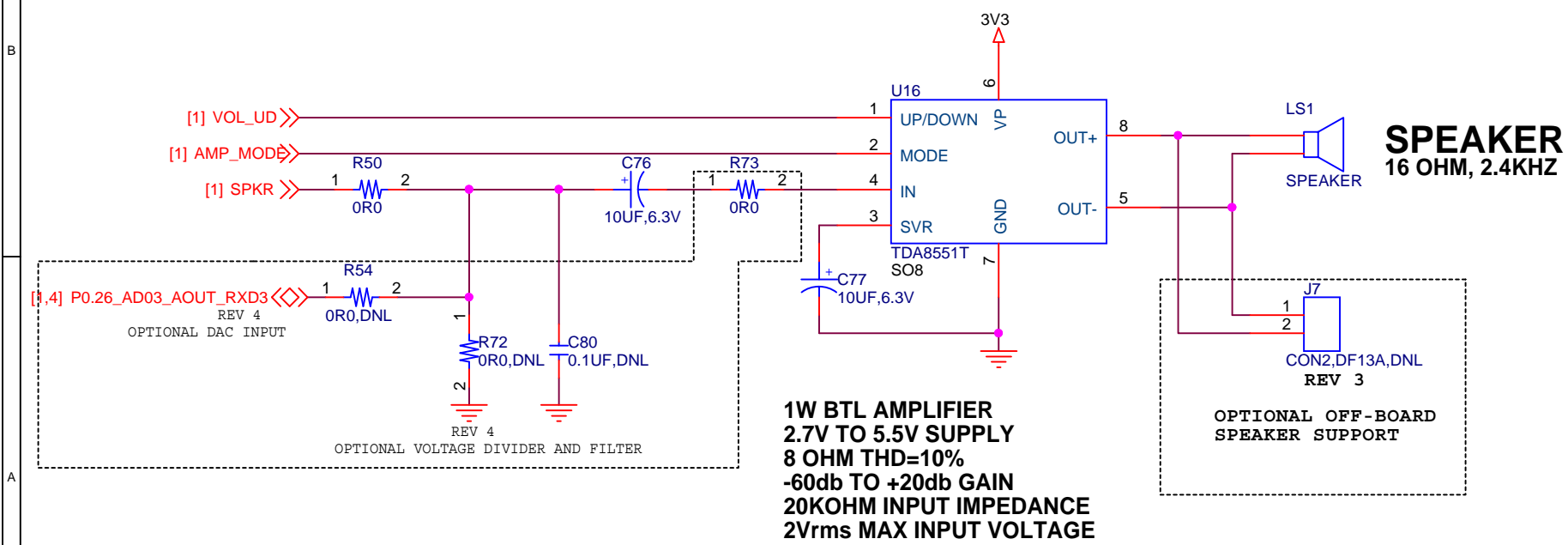
**5V INPUT MONITOR VIA ADC**



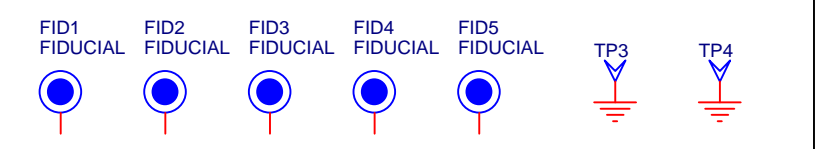
**SECONDARY EXPANSION CONNECTOR**



**EXPANSION CONNECTOR**

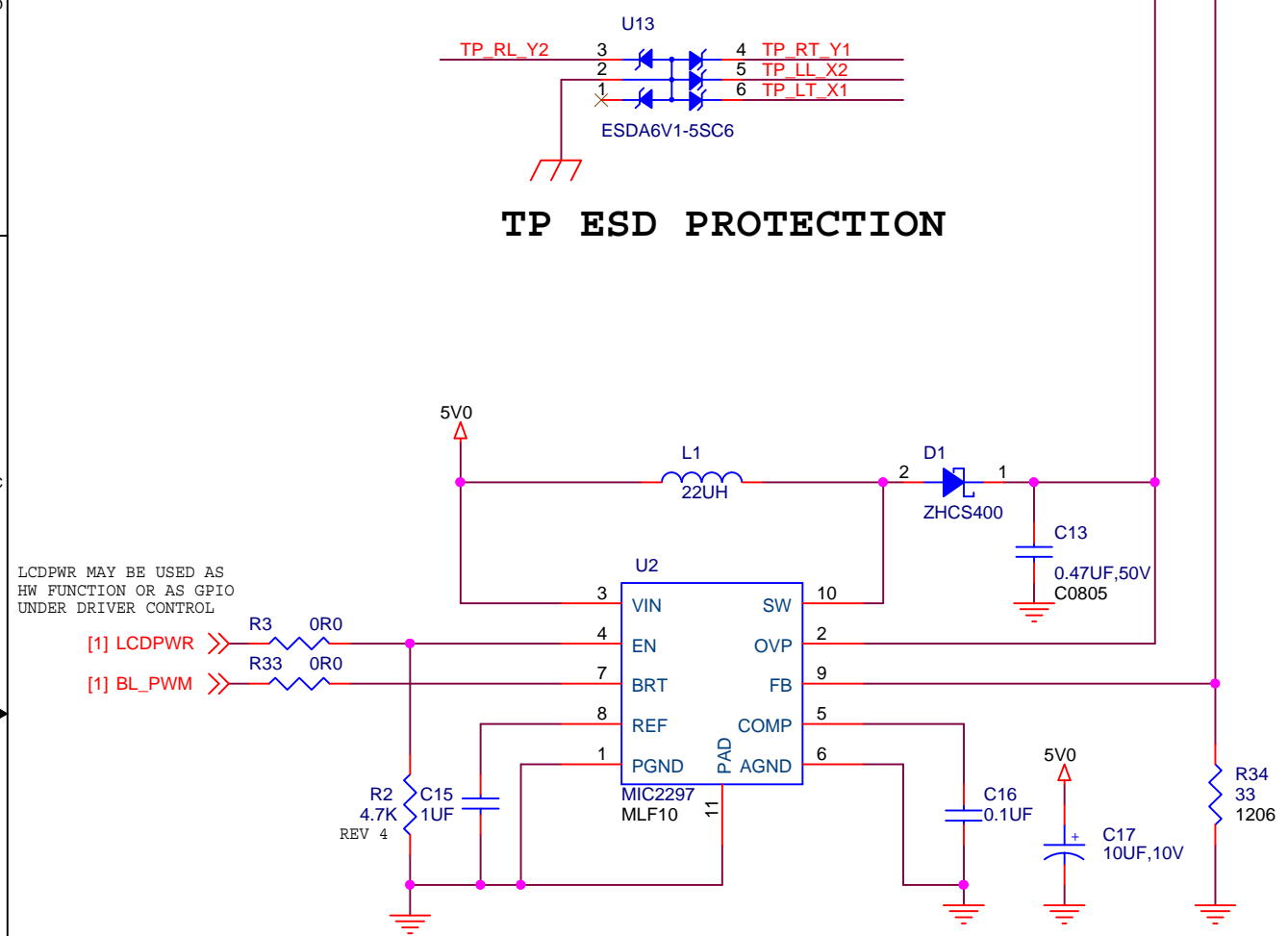


**1W BTL AMPLIFIER**  
2.7V TO 5.5V SUPPLY  
8 OHM THD=10%  
-60db TO +20db GAIN  
20KOHM INPUT IMPEDANCE  
2Vrms MAX INPUT VOLTAGE



FUTURE DESIGNS, INC. 996 A CLEANER WAY SW HUNTSVILLE, AL 35805		<b>FDI</b>
Title: UEZ GUI 4.3"		
Size: B	Document Number: P:\uEZGUI\ueZGUI_4.3\SCH\UEZGUI_4P3_SCH_6.DSN	Rev: 6
Date: Friday, January 18, 2013	Sheet: 4	of: 5

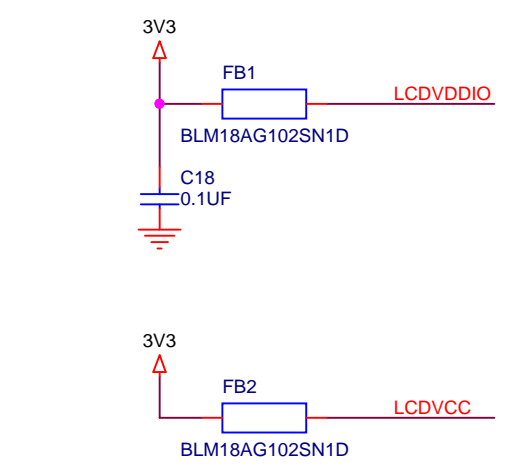
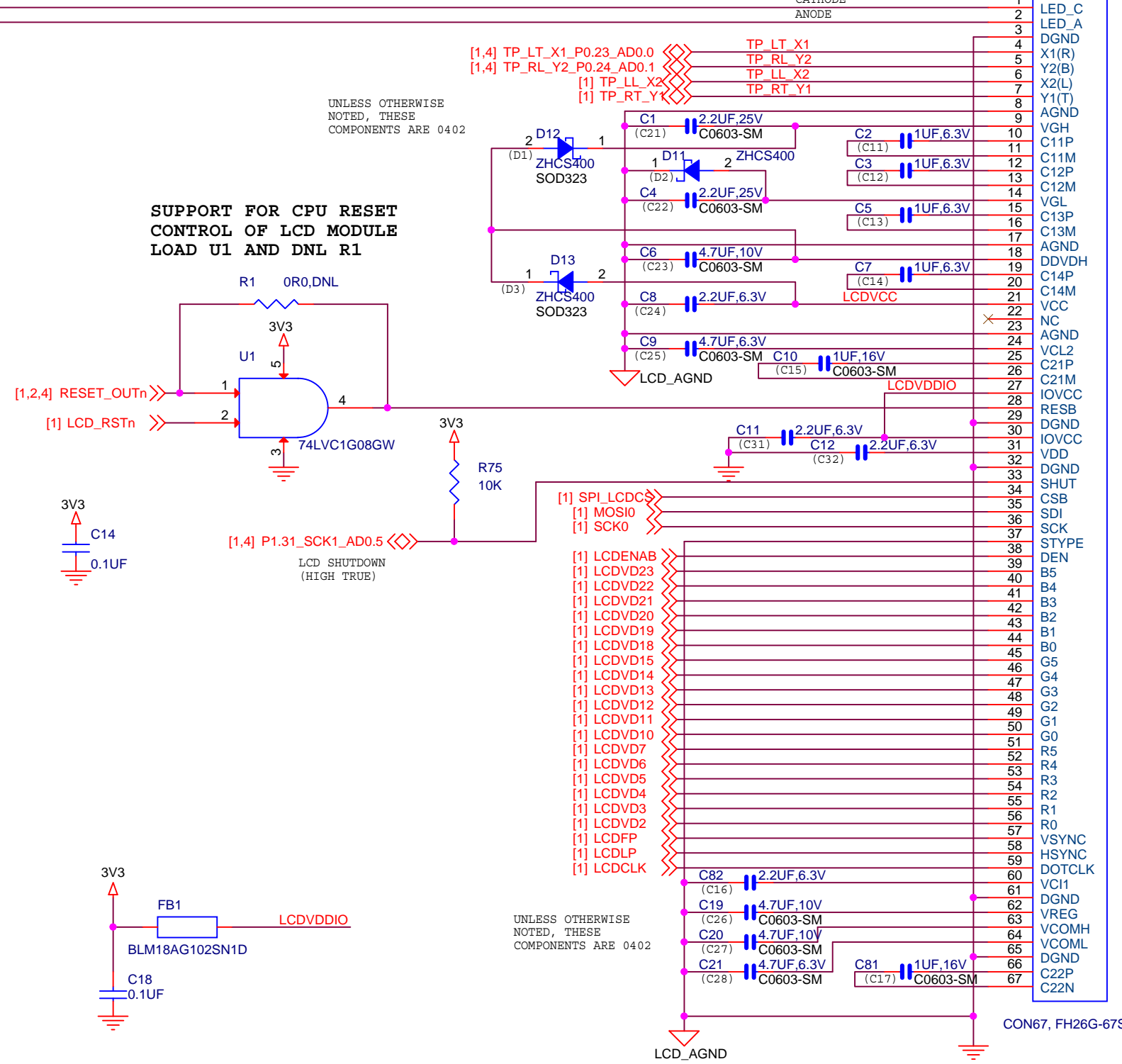
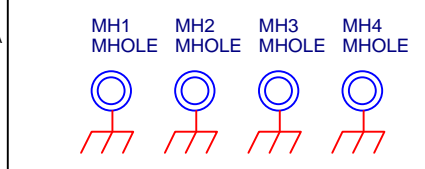
# SHARP LCD



**BACKLIGHT CURRENT CALCULATION:**

$$I_{LED} = \frac{V_{peak} \cdot D}{5 \cdot R_{sense}}$$

I<sub>LED</sub> = 20mA FOR THE FOLLOWING;  
 R<sub>SENSE</sub> (R34) = 33OHM  
 V<sub>PEAK</sub> (BRT PIN) = 3.3V  
 D (BRT PIN) = 0% TO 100%



**NOTE: SHIELD LCD\_AGND AND CONNECT TO GND AT A SINGLE POINT**

FUTURE DESIGNS, INC. 996 A CLEANER WAY SW HUNTSVILLE, AL 35805			<b>FDI</b>
Title: UEZ GUI 4.3"			
Size: B	Document Number: P:\uEZGUI\ueZGUI_4.3\SCH\UEZGUI_4P3_SCH_6.DSN	Rev: 6	
Date: Tuesday, October 16, 2012	Sheet: 5	of: 5	