

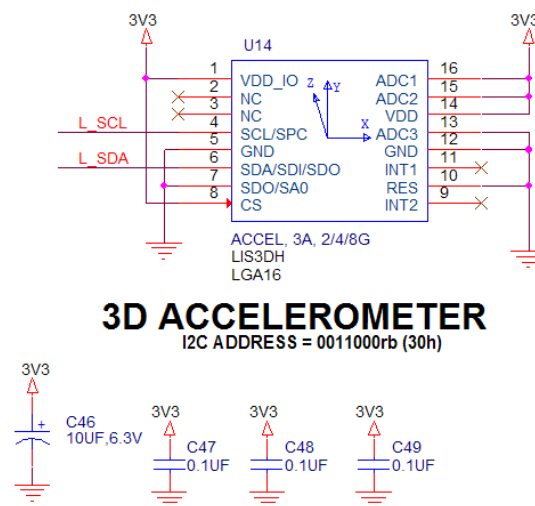
FDI	ENGINEERING CHANGE ORDER		ECO NO: 15-021
			Page 1 of 3
TITLE	DWG NO.	CURRENT REV	NEW REV
uEZGUI-4088-43WQN	uEZGUI-4088-43WQN-BA	1.3	2

BACKGROUND:

- Enlarge audio jack pads for retention and made compatible with RDI footprint
- Changed Accelerometer to match uEZGUI-1788-70WVM accelerometer, replacing MMA7455L (FDI PN U500437) to LIS3DH (FDI PN U500639). This change is due to Freescale discontinuing the MMA7455L part. Matched orientation on PCB with uEZGUI-1788-70WVM, where the part has already been updated, for ease of software implementation.
- Updated silkscreen outline for off-board battery connector (J8) to bring the connector in line with the orientation of the Alt/Power Connector on the PCB. The connector footprint was shifted inwards to allow the edge of the connector to sit in line with the PCB edge. This will prevent the connector from hanging off the PCB.
- Update Y1 PCB footprint to match mfg. recommended footprint.
- Add ESD protection for 4WRT signals

DESCRIPTION OF CHANGE:

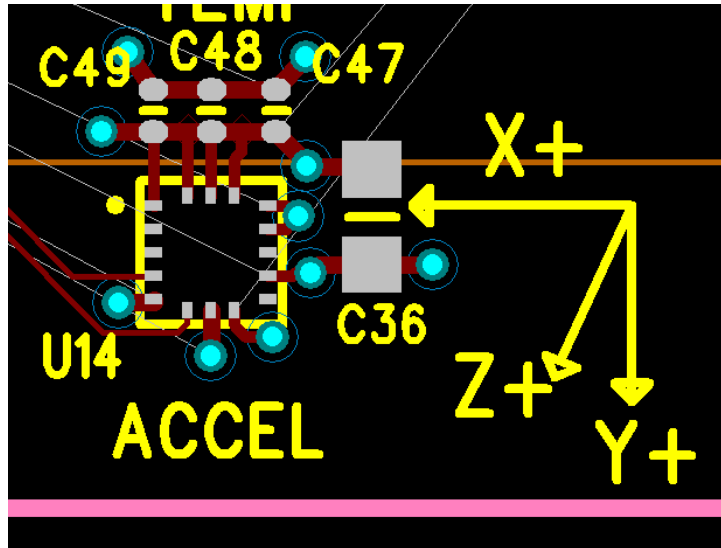
1. Change accelerometer part (U14) from MMA7455L (FDI PN U500437) to LIS3DH (FDI PN U500639). Below is the change on the schematic:



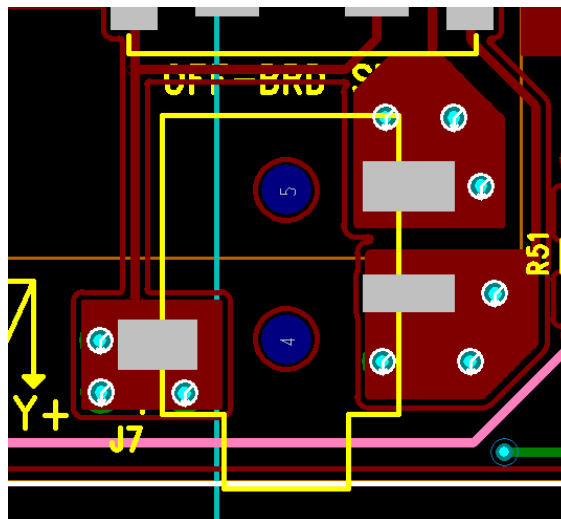
Reason for change: 1. Change accelerometer to new low cost part 2. Improve footprint for audio connector 3. Improve footprint for off-board battery connector 4. Update Y1 PCB footprint		Disposition/Affectivity	
		Use as is	x
		Rework to ECO	
		Scrap & Rebuild	
		Record Change Only	x
Prepared by:	TBE	Date:	10/30/15
Approved by:	MH	Date:	10/30/15
Approved by:	BF	Date:	10/30/2015
Approved by:		Date:	

FDI	ENGINEERING CHANGE ORDER		ECO NO: 15-021
			Page 2 of 3
TITLE	DWG NO.	CURRENT REV	NEW REV
uEZGUI-4088-43WQN	uEZGUI-4088-43WQN-BA	1.3	2

- Adjust accelerometer directional symbol to match software implementation. The new component and symbol are shown below:



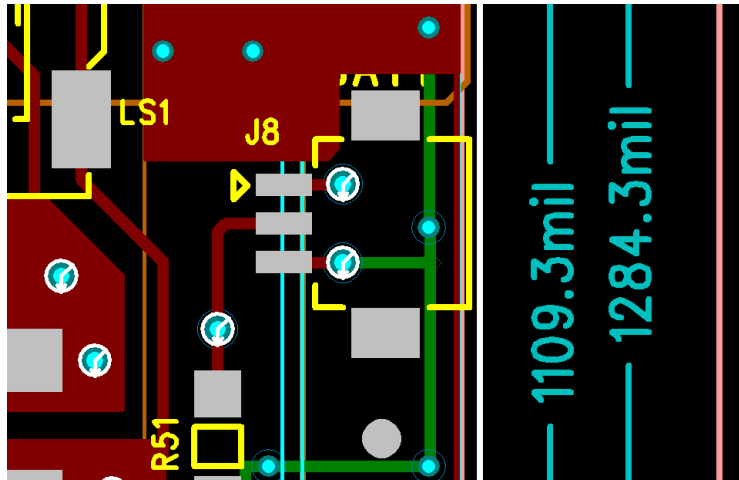
- Change off board speaker connector (J7) to RDI compatible footprint decal (CON3_RDI_RSJ-3532-3-SMT-MOD). This part's location did not move. See below:



Reason for change: 1. Change accelerometer to new low cost part 2. Improve footprint for audio connector 3. Improve footprint for off-board battery connector 4. Update Y1 PCB footprint			Disposition/Affectivity	
			Use as is	x
			Rework to ECO	
			Scrap & Rebuild	
			Record Change Only	x
Prepared by:	TBE	Date:	10/30/15	
Approved by:	MH	Date:	10/30/15	
Approved by:	BF	Date:	10/30/2015	
Approved by:		Date:		

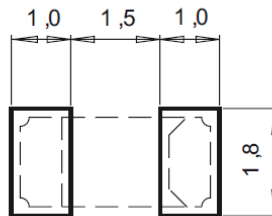
FDI	ENGINEERING CHANGE ORDER		ECO NO: 15-021
			Page 3 of 3
TITLE	DWG NO.	CURRENT REV	NEW REV
uEZGUI-4088-43WQN	uEZGUI-4088-43WQN-BA	1.3	2

- Adjust off-board Batt connector (J8), bringing the pads inward on the PCB and doing minor rerouting of the connector. The new footprint and routing is shown below:

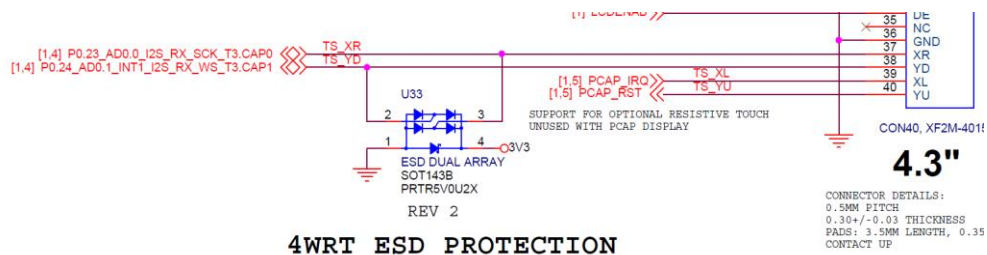


- Adjust PCB footprint for Y1 to match manufactures recommended layout.

Recommended Solder Pad:



- Add ESD protection to P0.23 & P0.24 (ADC signals used for 4WRT), U33, PRTR5V0U2X, FDI PN: D500087, shown below;



Reason for change:		Disposition/Affectivity	
1. Change accelerometer to new low cost part		Use as is	x
2. Improve footprint for audio connector		Rework to ECO	
3. Improve footprint for off-board battery connector		Scrap & Rebuild	
4. Update Y1 PCB footprint		Record Change Only	x
Prepared by:	TBE	Date:	10/30/15
Approved by:	MH	Date:	10/30/15
Approved by:	BF	Date:	10/30/2015
Approved by:		Date:	