

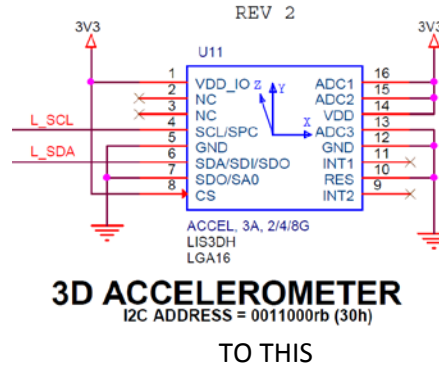
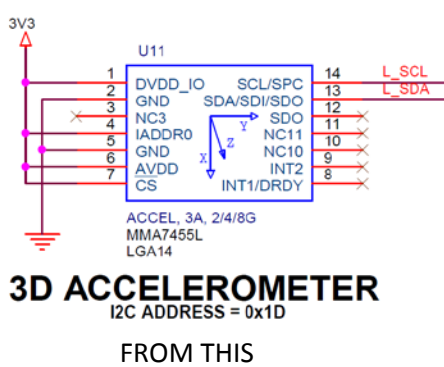
FDI	ENGINEERING CHANGE ORDER			ECO NO: 17-035	
				Page 1 of 4	
TITLE	ASSY PN	CURRENT REV	NEW ASSY PN	NEW REV	
uEZGUI-4088-43WQN	AUG4043QNBA14	1.4	AUG4043QNBA2	2.0	
uEZGUI-4088-43WQN	AUG4043QN13	1.3	AUG4043QN2	2.0	
uEZGUI-4088-43WQH	AUG4043QHBA13	1.3	AUG4043QHBA2	2.0	
uEZGUI-4088-43WQH	AUG4043QH13	1.3	AUG4043QH2	2.0	
uEZGUI-4088-43WQE	AUG4043QEBA13	1.3	AUG4043QEBA2	2.0	
uEZGUI-4088-43WQE	AUG4043QE13	1.3	AUG4043QE2	2.0	

BACKGROUND:

- Change Accelerometer to match uEZGUI-1788-70WVM accelerometer, replacing MMA7455L (FDI PN U500437) to LIS3DH (FDI PN U500639). This change is due to Freescale discontinuing the MMA7455L part.
- Change resistor connected to LCD DISP to pullup configuration
- Change LCD PCAP power supply to non-switched power
- Add optional vertical PMOD socket
- Change audio jack PCB footprint to be compatible with current vendor
- Change 32.768Khz crystal PCB footprint to match current vendor

DESCRIPTION OF CHANGE:

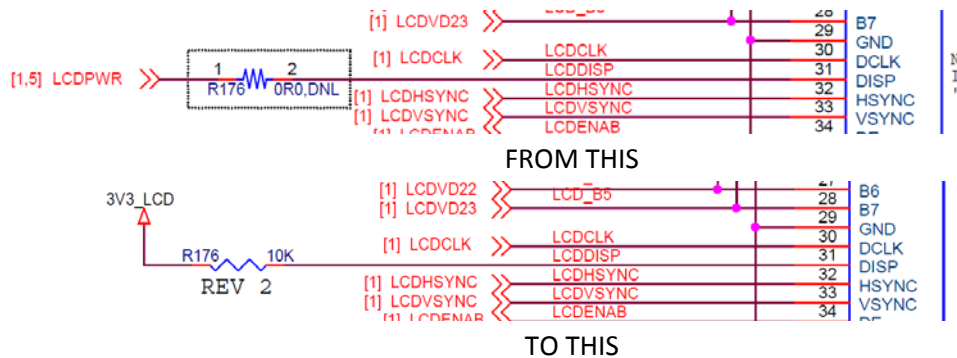
1. Change U11 from MMA7455L, FDI PN: U500437 to LIS3DH, FDI PN: U500639



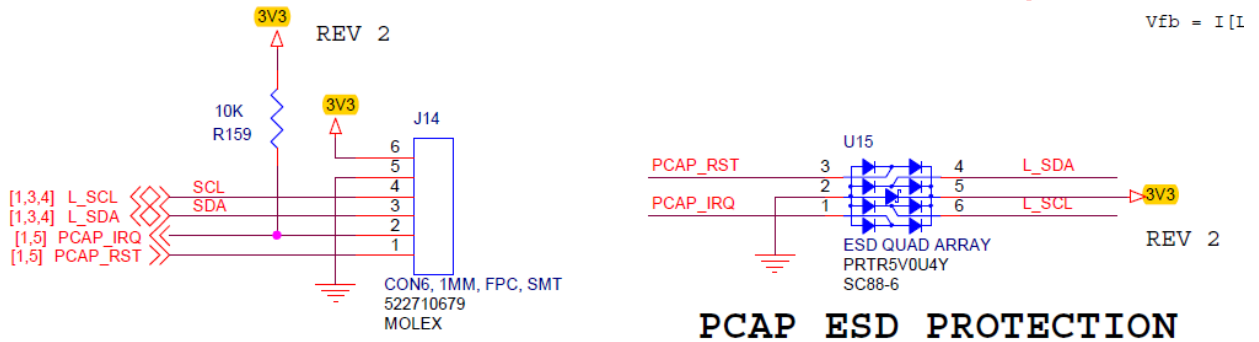
Reason for change: 1. Accelerometer is no longer available 2. LCD DISP signal requires pullup for certain models 3. PCAP interface must always be powered for proper operation 4. Audio jack footprint incorrect for current vendor part 5. Update PCB footprints for audio jack and 32KHz crystal		Disposition/Affectivity	
		Use as is	x
		Rework to ECO	
		Scrap & Rebuild	
		Record Change Only	x
Prepared by:	MH	Date:	11/21/2017
Approved by:	BF	Date:	11/21/2017
Approved by:		Date:	
Approved by:	TD	Date:	11/21/2017

FDI	ENGINEERING CHANGE ORDER			ECO NO: 17-035	
				Page 2 of 4	
TITLE	ASSY PN	CURRENT REV	NEW ASSY PN	NEW REV	
uEZGUI-4088-43WQN	AUG4043QNBA14	1.4	AUG4043QNBA2	2.0	
uEZGUI-4088-43WQN	AUG4043QN13	1.3	AUG4043QN2	2.0	
uEZGUI-4088-43WQH	AUG4043QHBA13	1.3	AUG4043QHBA2	2.0	
uEZGUI-4088-43WQH	AUG4043QH13	1.3	AUG4043QH2	2.0	
uEZGUI-4088-43WQE	AUG4043QEBA13	1.3	AUG4043QEBA2	2.0	
uEZGUI-4088-43WQE	AUG4043QE13	1.3	AUG4043QE2	2.0	

- Change R176 from series connection to MCU, to pullup to 3.3V and change value from zero ohm (DNL), FDI PN: R500436 to 10K (Loaded), FDI PN: R500029



- Change LCD PCAP connector, pullup, and ESD protection from switched 3V3_LCD to non-switched 3V3, highlighted below; (no component changes)

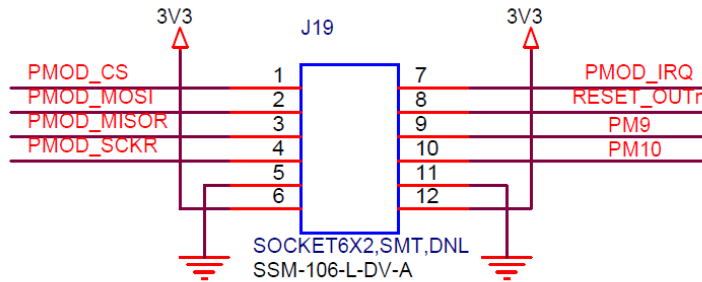


NOTE: PINOUT OF PCAP FPC TAIL IS REVERSED FROM PINOUT OF MOLEX CONNECTOR

Reason for change:		Disposition/Affectivity	
1. Accelerometer is no longer available		Use as is	x
2. LCD DISP signal requires pullup for certain models		Rework to ECO	
3. PCAP interface must always be powered for proper operation		Scrap & Rebuild	
4. Audio jack footprint incorrect for current vendor part		Record Change Only	x
5. Update PCB footprints for audio jack and 32KHz crystal			
Prepared by:	MH	Date:	11/21/2017
Approved by:	BF	Date:	11/21/2017
Approved by:		Date:	
Approved by:	TD	Date:	11/21/2017

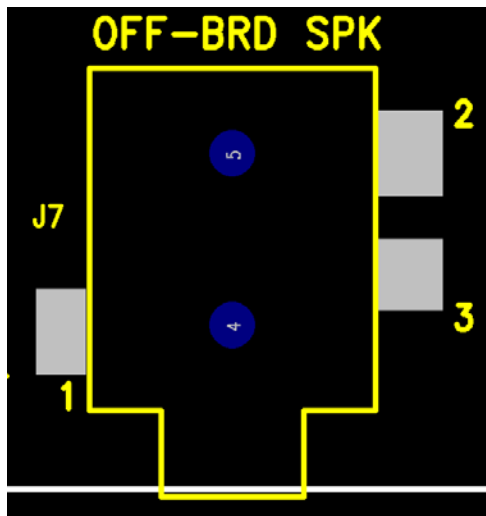
FDI	ENGINEERING CHANGE ORDER			ECO NO: 17-035	
				Page 3 of 4	
TITLE	ASSY PN	CURRENT REV	NEW ASSY PN	NEW REV	
uEZGUI-4088-43WQN	AUG4043QNBA14	1.4	AUG4043QNBA2	2.0	
uEZGUI-4088-43WQN	AUG4043QN13	1.3	AUG4043QN2	2.0	
uEZGUI-4088-43WQH	AUG4043QHBA13	1.3	AUG4043QHBA2	2.0	
uEZGUI-4088-43WQH	AUG4043QH13	1.3	AUG4043QH2	2.0	
uEZGUI-4088-43WQE	AUG4043QEBA13	1.3	AUG4043QEBA2	2.0	
uEZGUI-4088-43WQE	AUG4043QE13	1.3	AUG4043QE2	2.0	

4. Add optional vertical PMOD socket (J19) for customers that require vertical mounting of PMOD;

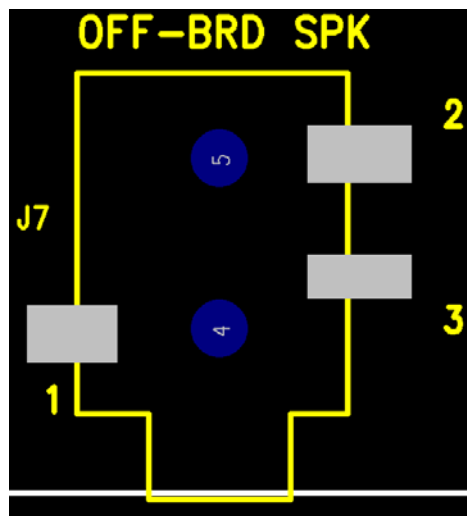


OPTIONAL STRAIGHT SMT
REV 2

5. Change audio jack (J7) PCB footprint to support current vendor (RDI)



FROM THIS

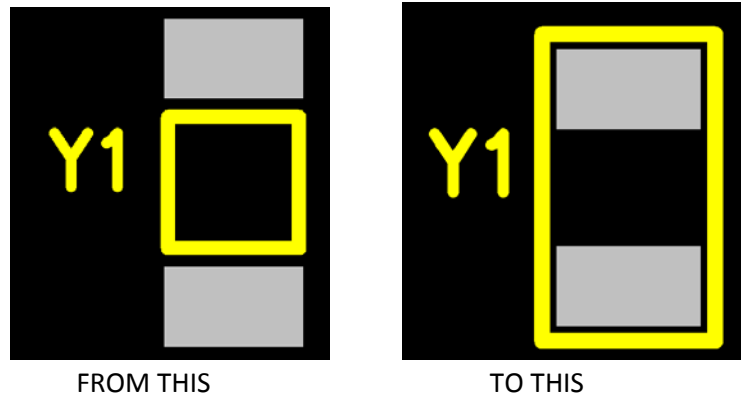


TO THIS

Reason for change: 1. Accelerometer is no longer available 2. LCD DISP signal requires pullup for certain models 3. PCAP interface must always be powered for proper operation 4. Audio jack footprint incorrect for current vendor part 5. Update PCB footprints for audio jack and 32KHz crystal		Disposition/Affectivity	
		Use as is	x
		Rework to ECO	
		Scrap & Rebuild	
		Record Change Only	x
Prepared by:	MH	Date:	11/21/2017
Approved by:	BF	Date:	11/21/2017
Approved by:		Date:	
Approved by:	TD	Date:	11/21/2017

FDI	ENGINEERING CHANGE ORDER			ECO NO: 17-035	
				Page 4 of 4	
TITLE	ASSY PN	CURRENT REV	NEW ASSY PN	NEW REV	
uEZGUI-4088-43WQN	AUG4043QNBA14	1.4	AUG4043QNBA2	2.0	
uEZGUI-4088-43WQN	AUG4043QN13	1.3	AUG4043QN2	2.0	
uEZGUI-4088-43WQH	AUG4043QHBA13	1.3	AUG4043QHBA2	2.0	
uEZGUI-4088-43WQH	AUG4043QH13	1.3	AUG4043QH2	2.0	
uEZGUI-4088-43WQE	AUG4043QEBA13	1.3	AUG4043QEBA2	2.0	
uEZGUI-4088-43WQE	AUG4043QE13	1.3	AUG4043QE2	2.0	

6. Change 32.768Khz crystal (Y1) PCB footprint to match current vendor for FDI PN: X500027



REVISION HISTORY

Sub-Assembly	Current Rev	New Rev
Hardware Signoff	1.0	1.0
Schematic\BOM P0000282-REV1	1.4	2.0
PCB P0000281-REV1	1.0	2.0
Software Checklist	v1.02	v1.03
FCT SW (increase BA Rev ONLY when change affects – BA)	v2.01	v2.02
FCT HW (increase BA Rev ONLY when change affects – BA)	v2.01	v2.01
OOB Demo	FCT Top Level Test v2.06	FCT Top Level Test v2.07
SD Card Image	v2.04	v2.05

Reason for change:		Disposition/Affectivity	
1. Accelerometer is no longer available		Use as is	x
2. LCD DISP signal requires pullup for certain models		Rework to ECO	
3. PCAP interface must always be powered for proper operation		Scrap & Rebuild	
4. Audio jack footprint incorrect for current vendor part		Record Change Only	x
5. Update PCB footprints for audio jack and 32KHz crystal			
Prepared by:	MH	Date:	11/21/2017
Approved by:	BF	Date:	11/21/2017
Approved by:		Date:	
Approved by:	TD	Date:	11/21/2017