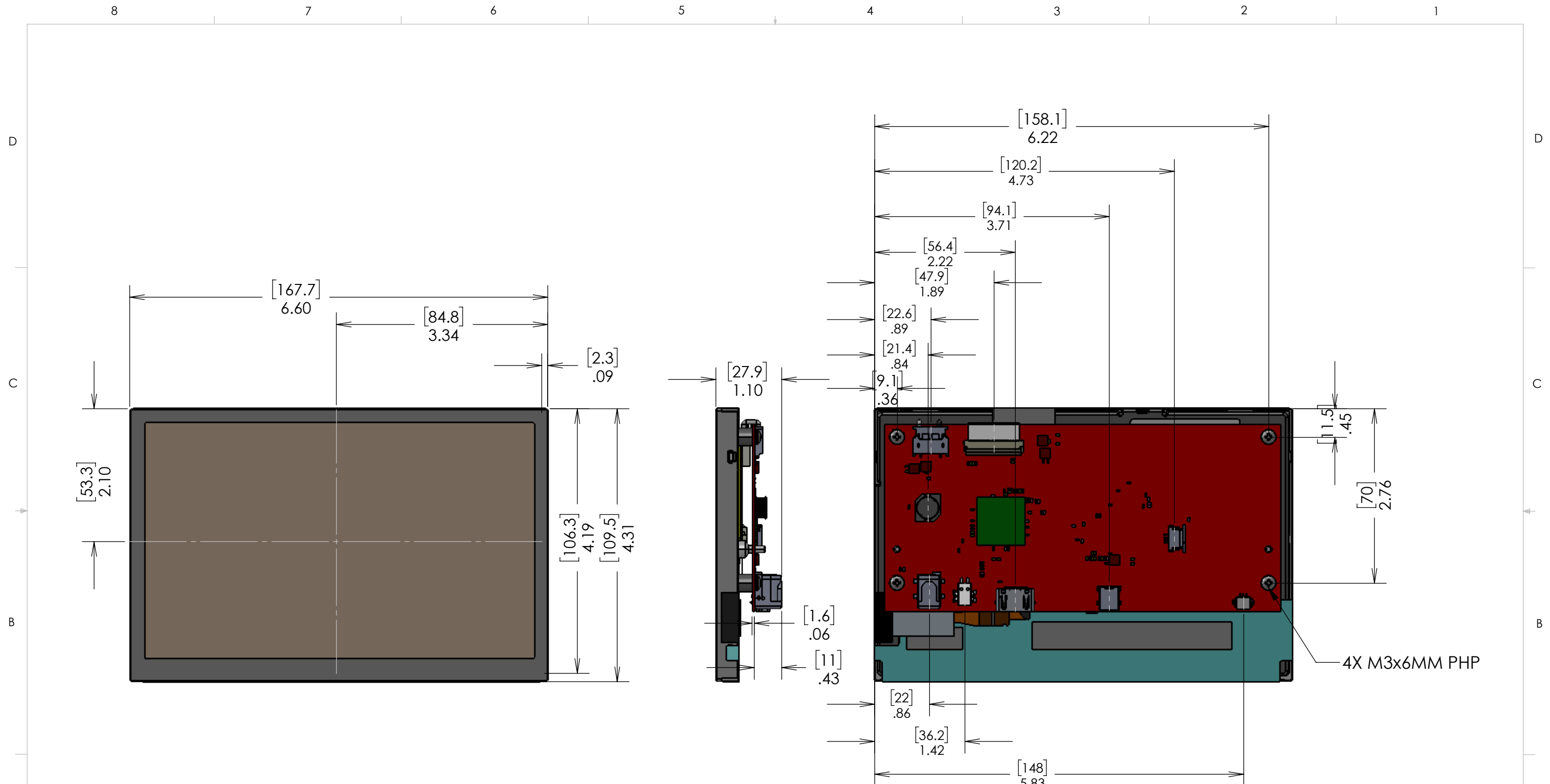


Display Shown is for -INHW

PROPRIETARY AND CONFIDENTIAL
 THE INFORMATION CONTAINED IN THIS DRAWING IS THE SOLE PROPERTY OF <INSERT COMPANY NAME HERE>. ANY REPRODUCTION IN PART OR AS A WHOLE WITHOUT THE WRITTEN PERMISSION OF <INSERT COMPANY NAME HERE> IS PROHIBITED.

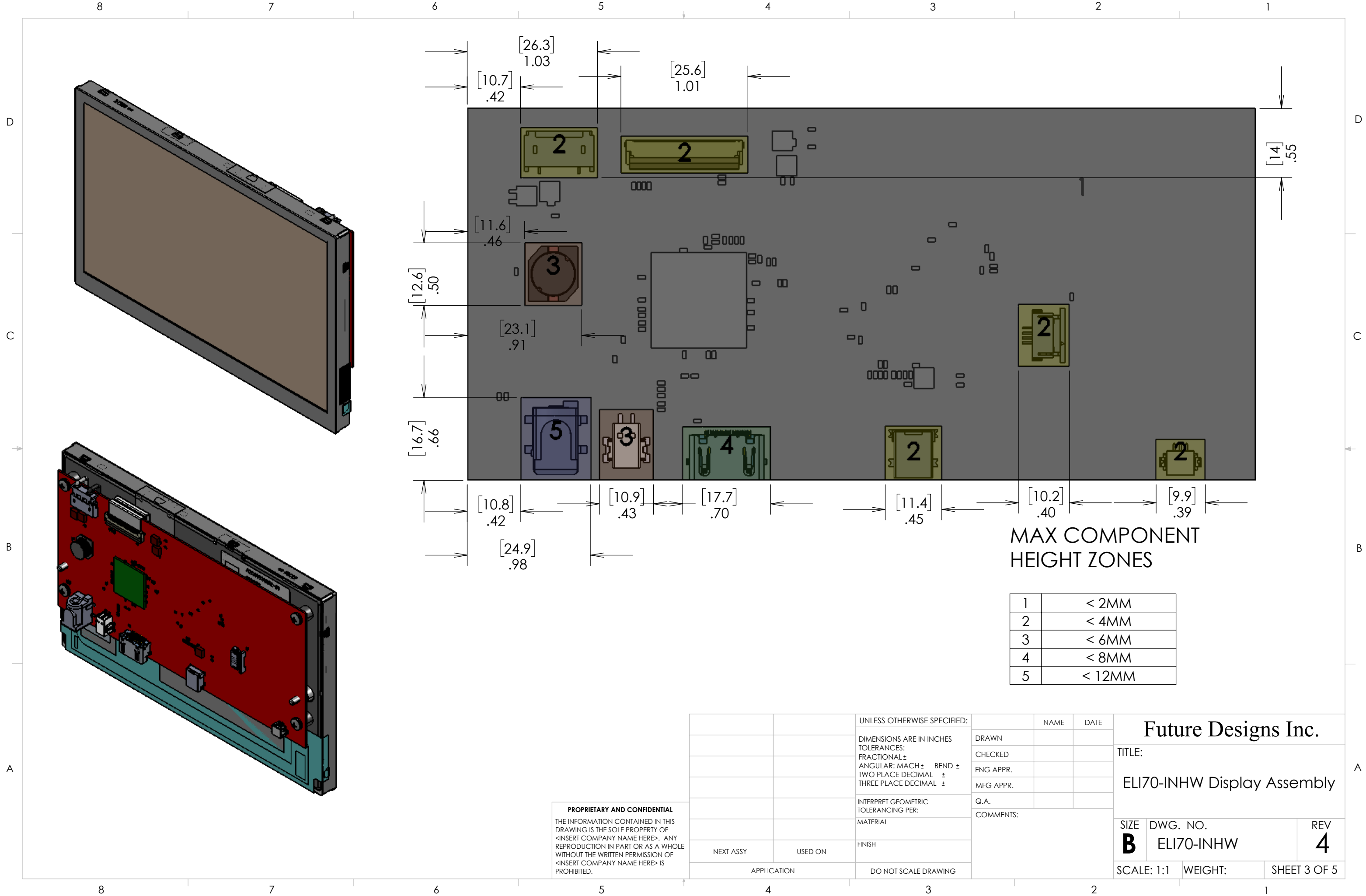
		UNLESS OTHERWISE SPECIFIED:		NAME	DATE	Future Designs Inc.	
		DIMENSIONS ARE IN INCHES	DRAWN			TITLE:	
		TOLERANCES:	CHECKED			ELI70-INHW Display Assembly	
		FRACTIONAL ±	ENG APPR.			SIZE DWG. NO. REV	
		ANGULAR: MACH ± BEND ±	MFG APPR.			B ELI70-INHW 4	
		TWO PLACE DECIMAL ±	Q.A.			SCALE: 1:1 WEIGHT: SHEET 1 OF 5	
		THREE PLACE DECIMAL ±	COMMENTS:				
		INTERPRET GEOMETRIC TOLERANCING PER:					
		MATERIAL					
		FINISH					
NEXT ASSY	USED ON						
APPLICATION		DO NOT SCALE DRAWING					



ELI70-INHW SHOWN

PROPRIETARY AND CONFIDENTIAL
 THE INFORMATION CONTAINED IN THIS DRAWING IS THE SOLE PROPERTY OF <INSERT COMPANY NAME HERE>. ANY REPRODUCTION IN PART OR AS A WHOLE WITHOUT THE WRITTEN PERMISSION OF <INSERT COMPANY NAME HERE> IS PROHIBITED.

		UNLESS OTHERWISE SPECIFIED:		NAME	DATE	Future Designs Inc.		
		DIMENSIONS ARE IN INCHES TOLERANCES: FRACTIONAL ± ANGULAR: MACH ± BEND ± TWO PLACE DECIMAL ± THREE PLACE DECIMAL ±		DRAWN				TITLE:
		INTERPRET GEOMETRIC TOLERANCING PER:		CHECKED		ELI70-INHW Display Assembly		
		MATERIAL		ENG APPR.		SIZE DWG. NO. REV		
NEXT ASSY	USED ON	FINISH		MFG APPR.		B	ELI70-INHW	4
APPLICATION		DO NOT SCALE DRAWING		Q.A.		SCALE: 1:1		WEIGHT:
				COMMENTS:		SHEET 2 OF 5		



PROPRIETARY AND CONFIDENTIAL
 THE INFORMATION CONTAINED IN THIS DRAWING IS THE SOLE PROPERTY OF <INSERT COMPANY NAME HERE>. ANY REPRODUCTION IN PART OR AS A WHOLE WITHOUT THE WRITTEN PERMISSION OF <INSERT COMPANY NAME HERE> IS PROHIBITED.

		UNLESS OTHERWISE SPECIFIED:		NAME	DATE	Future Designs Inc.		
		DIMENSIONS ARE IN INCHES TOLERANCES: FRACTIONAL ± ANGULAR: MACH ± BEND ± TWO PLACE DECIMAL ± THREE PLACE DECIMAL ±		DRAWN				TITLE:
		INTERPRET GEOMETRIC TOLERANCING PER:		CHECKED		ELI70-INHW Display Assembly		
		MATERIAL		ENG APPR.		SIZE DWG. NO. REV		
NEXT ASSY	USED ON	FINISH		MFG APPR.		B	ELI70-INHW	4
APPLICATION		DO NOT SCALE DRAWING		Q.A.		SCALE: 1:1	WEIGHT:	SHEET 3 OF 5
				COMMENTS:				

8 7 6 5 4 3 2 1

D D

C C

B B

A A

**WHITE BOX (GREY) REPRESENTS BEZEL OPENING
BEING SMALLER THAN LCD ACTIVE AREA**

BLUE REPRESENTS TOUCH ACTIVE AREA

**RED LINE REPRESENTS GASKET MINIMUM SIZE
INSIDE EDGE OF GASKET SHOULD BE LARGER THAN TP ACTIVE AREA
AND SMALLER THAN MAX DIMENSION OF LCD MODULE**

**INSIDE OF GASKET DIMENSION SHOULD BE 1.6MM LARGER THAN TP
ACTIVE DIMENSION TO ENSURE NO CONTACT PRESSURE ON TP**

DESIGN NOTES:

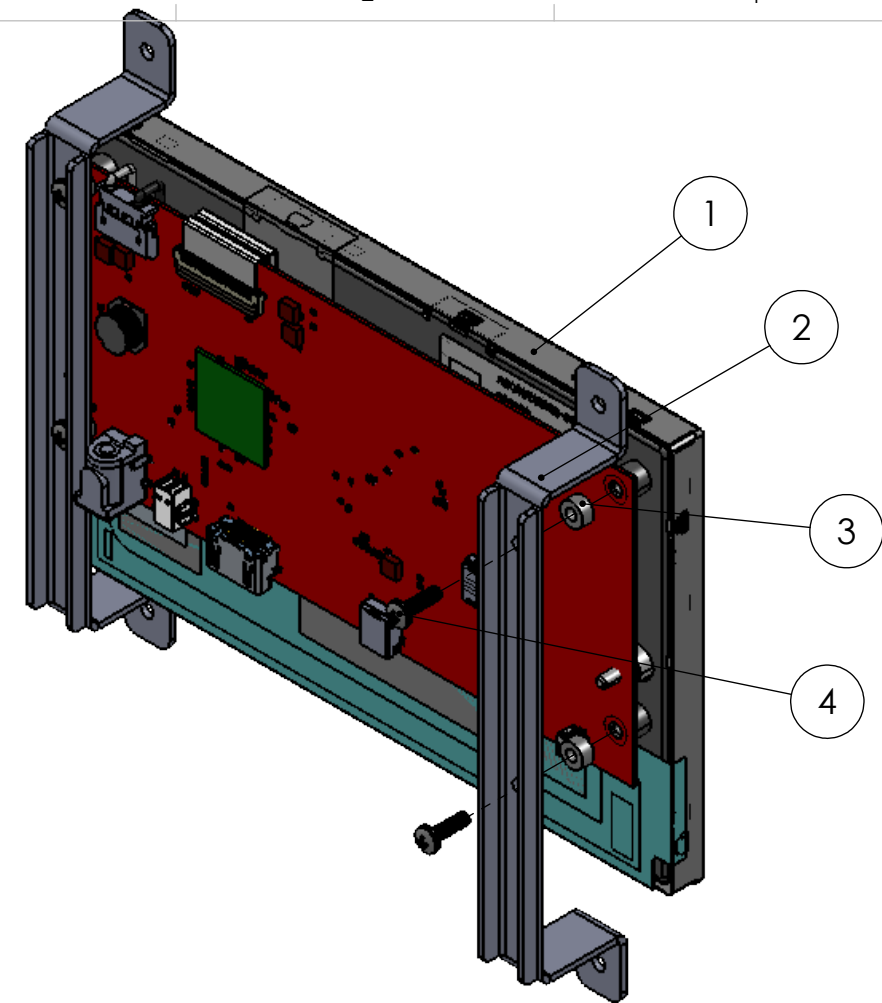
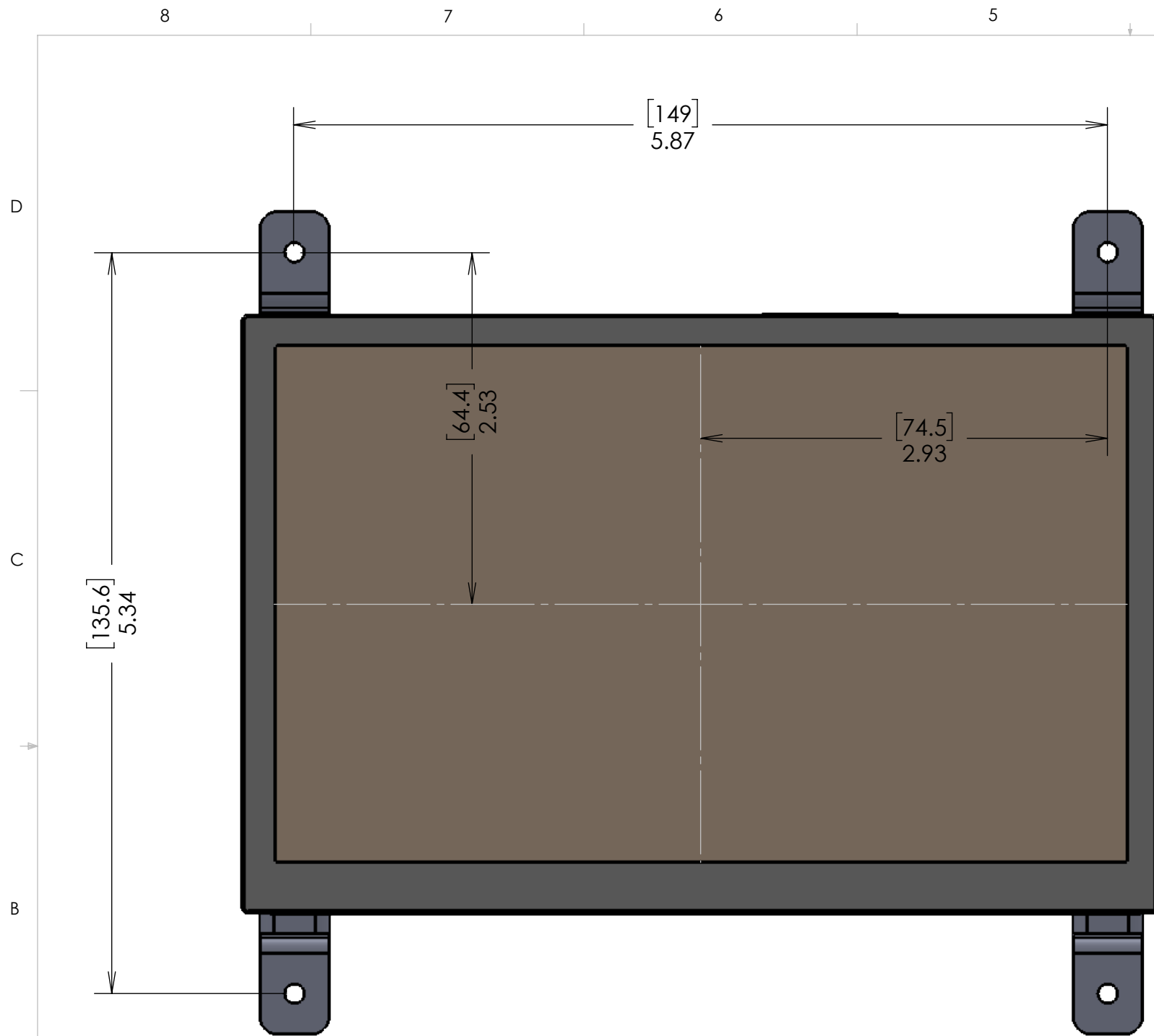
- LCD MODULE SIZE = 167.7 X 109.5
- LCD ACTIVE AREA = 152.4 X 91.4
- BEZEL OPENING = 156.4X 95.4 (SUGGESTED)
- GASKET SIZE (INTERNAL) = 156.0 X 95 (SUGGESTED)
- GASKET SIZE (EXTERNAL) 166.7 X 108.5 (MAX)



PROPRIETARY AND CONFIDENTIAL
THE INFORMATION CONTAINED IN THIS DRAWING IS THE SOLE PROPERTY OF <INSERT COMPANY NAME HERE>. ANY REPRODUCTION IN PART OR AS A WHOLE WITHOUT THE WRITTEN PERMISSION OF <INSERT COMPANY NAME HERE> IS PROHIBITED.

		UNLESS OTHERWISE SPECIFIED:		NAME	DATE	Future Designs Inc.		
		DIMENSIONS ARE IN INCHES TOLERANCES: FRACTIONAL ± ANGULAR: MACH ± BEND ± TWO PLACE DECIMAL ± THREE PLACE DECIMAL ±		DRAWN		TITLE:		
		INTERPRET GEOMETRIC TOLERANCING PER:		CHECKED		ELI70-INHW Display Assembly		
		MATERIAL		ENG APPR.		SIZE	DWG. NO.	REV
NEXT ASSY	USED ON	FINISH		MFG APPR.		B	ELI70-INHW	4
APPLICATION		DO NOT SCALE DRAWING		Q.A.		SCALE: 1:1	WEIGHT:	SHEET 4 OF 5
				COMMENTS:				

8 7 6 5 4 3 2 1



ITEM NO.	PART NUMBER	DESCRIPTION	With Mounting Bracket/QTY.
1	ELI70-INHW	Display Assembly	1
2	ELI70-IxHW Bracket Rev 2 sldprt	Mounting Bracket	2
3	94639A199	Nylon Spacer	4
4	92000A120	Screw, M3 x 10mm PHP	4

PROPRIETARY AND CONFIDENTIAL
 THE INFORMATION CONTAINED IN THIS DRAWING IS THE SOLE PROPERTY OF <INSERT COMPANY NAME HERE>. ANY REPRODUCTION IN PART OR AS A WHOLE WITHOUT THE WRITTEN PERMISSION OF <INSERT COMPANY NAME HERE> IS PROHIBITED.

		UNLESS OTHERWISE SPECIFIED:		NAME		DATE		Future Designs Inc.	
		DIMENSIONS ARE IN INCHES TOLERANCES: FRACTIONAL ± ANGULAR: MACH ± BEND ± TWO PLACE DECIMAL ± THREE PLACE DECIMAL ±		DRAWN		1/23/17			
		INTERPRET GEOMETRIC TOLERANCING PER:		CHECKED		TITLE:		ELI70-INHW with brackets	
		MATERIAL		ENG APPR.		SIZE			
NEXT ASSY		USED ON		MFG APPR.		COMMENTS:		REV	
APPLICATION		DO NOT SCALE DRAWING				SCALE: 1:1		WEIGHT:	
								SHEET 5 OF 5	