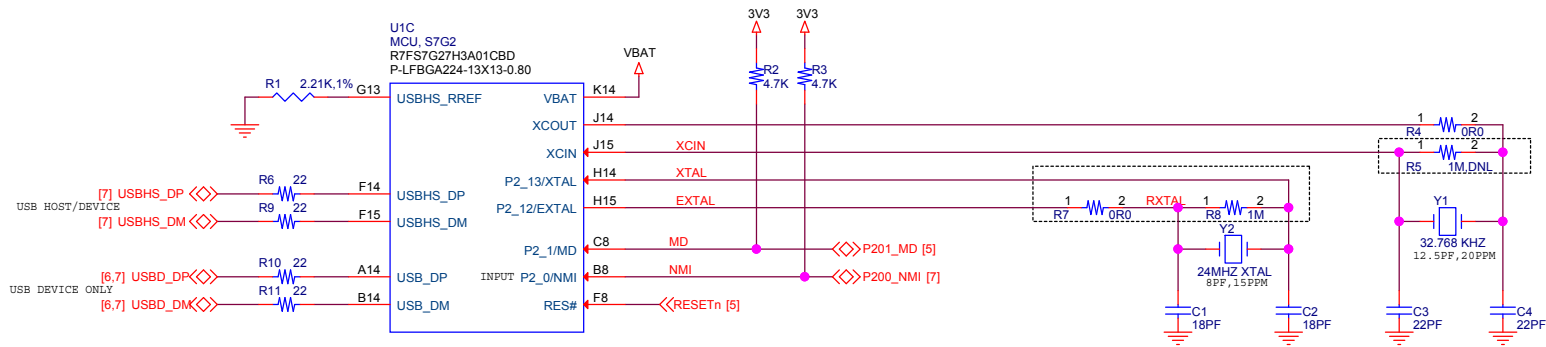
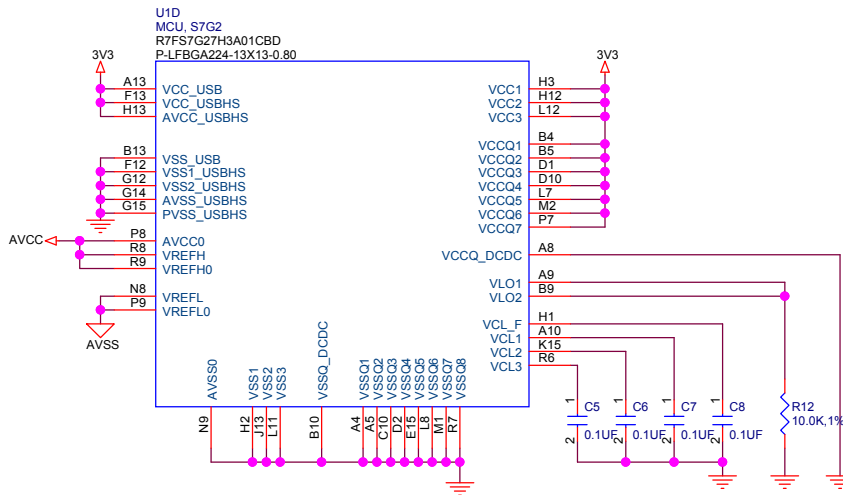


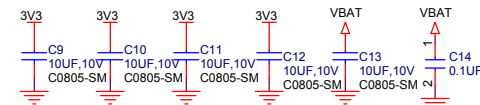
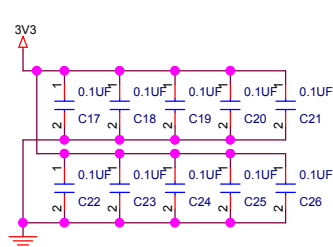
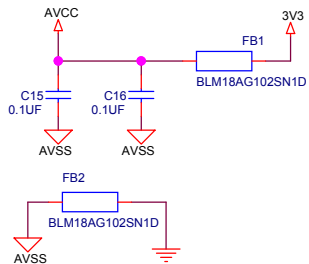
FUTURE DESIGNS, INC. 996 A CLEANER WAY HUNTSVILLE, AL 35805		FDI
Title: BLOCK DIAGRAM		
Size	Document Number SYG-70Cx	Rev 1
Date: Thursday, February 09, 2017		Sheet 1 of 10



S7G2 USB & CLOCKS

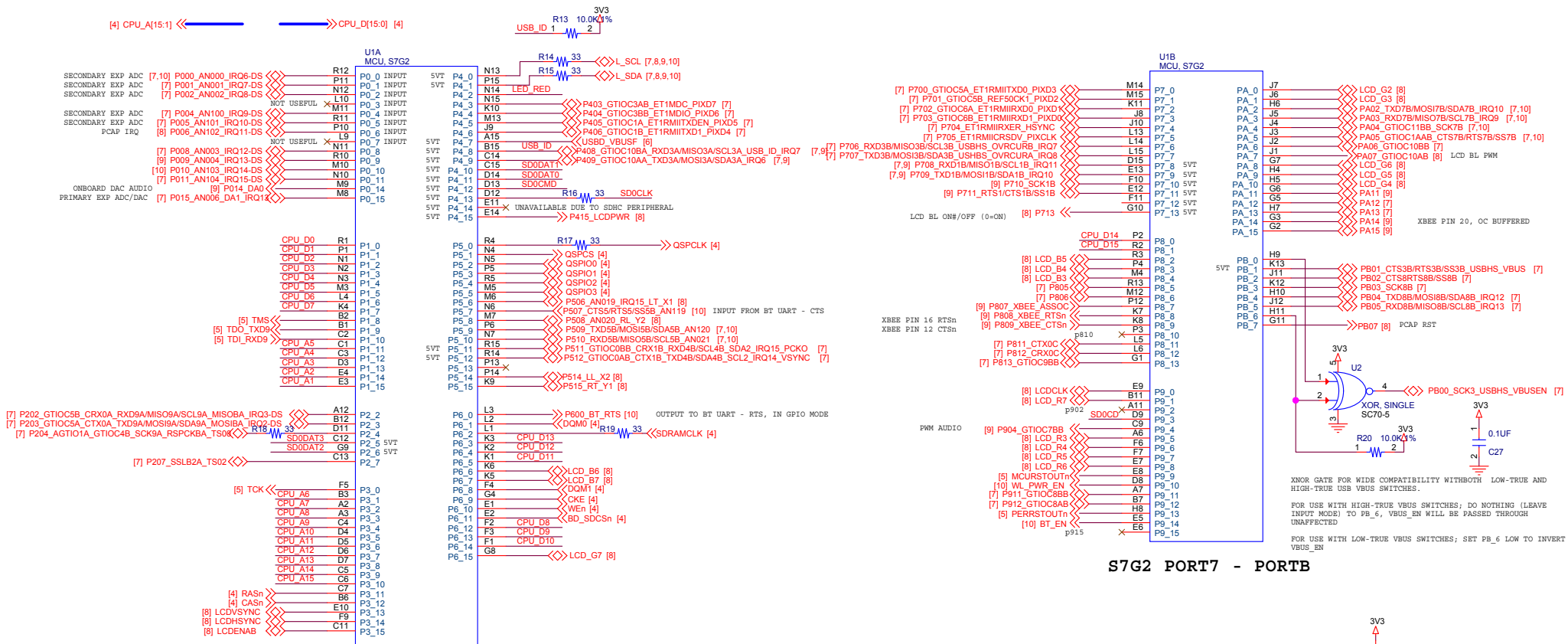


S7G2 POWER/GROUND



FUTURE DESIGNS, INC. 996 A CLEANER WAY HUNTSVILLE, AL 35805		FDI
Title MCU USB/POWER		
Size	Document Number SYG-70Cx	Rev 1
Date: Thursday, February 09, 2017		Sheet 2 of 10

[4] CPU_A[15:1] << >> CPU_D[15:0] [4]



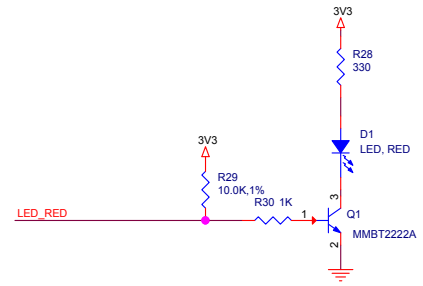
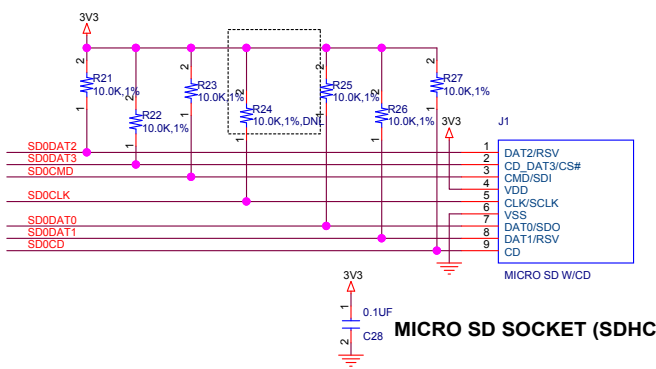
S7G2 PORT7 - PORTB

S7G2 PORT CAPABILITIES

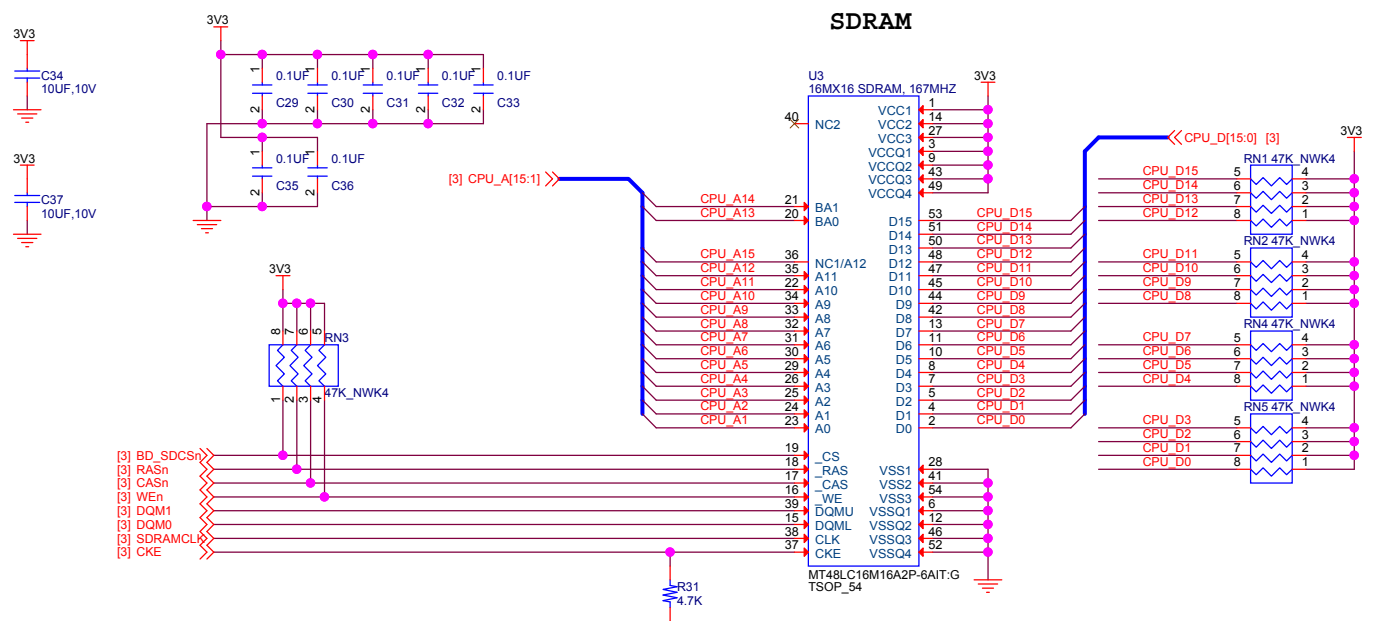
Table 2.2 I/O port functions

Port	Port name	Input pull-up	Open-drain output	Drive capacity switching	5-V tolerant
Port 0	P000 to P007	-	-	-	-
	P008 to P011, P014, P015	✓	✓	-	-
Port 1	P100 to P115	✓	✓	Low, middle, high	-
	P200	✓	-	-	-
Port 2	P202 to P204, P207	✓	✓	Low, middle, high	-
	P205, P206	✓	✓	Low, middle, high	✓
	P201, P212	✓	✓	Low	-
	P213	✓	✓	High	-
	P300 to P315	✓	✓	Low, middle, high	-
Port 3	P400, P401	✓	✓	Middle	✓
	P402 to P404	✓	✓	Low, middle	-
Port 4	P405 to P406	✓	✓	Low, middle, high	-
	P407	✓	✓	Low, middle, high	✓
	P408 to P415	✓	✓	Low, middle, high	✓
	P500 to P510, P513 to P515	✓	✓	Low, middle, high	-
Port 5	P511, P512	✓	✓	Middle	✓
	P600 to P615	✓	✓	Low, middle, high	-
Port 6	P700 to P707	✓	✓	Low, middle, high	-
	P708 to P713	✓	✓	Low, middle, high	✓
Port 7	P800 to P813	✓	✓	Low, middle, high	-
	P900 to P915	✓	✓	Low, middle, high	-
Port A	PA00 to PA15	✓	✓	Low, middle, high	-
Port B	PB00, PB02 to PB07	✓	✓	Low, middle, high	-
	PB01	✓	✓	Low, middle, high	✓

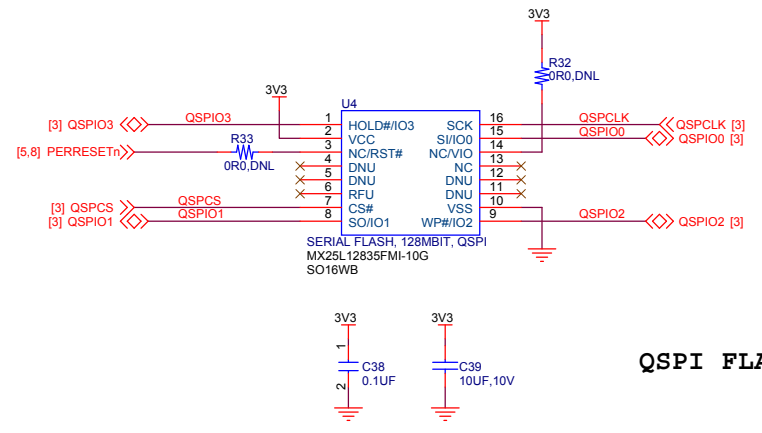
S7G2 PORT0 - PORT6



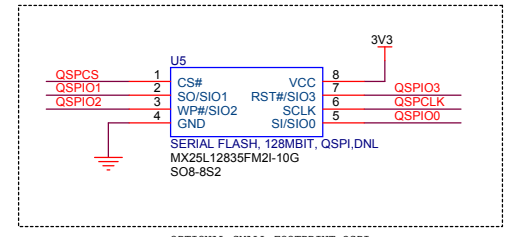
FUTURE DESIGNS, INC. 996 A CLEANER WAY HUNTSVILLE, AL 35805		
Title	CPU MEMORY IO JTAG	
Size	Document Number SYG-70Cx	Rev 1
Date:	Thursday, February 09, 2017	Sheet 3 of 10



STANDARD: 16MX16
 OPTIONAL: 32MX16
 ISSI PN: IS42S16320F-6TLI

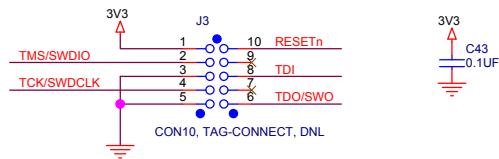
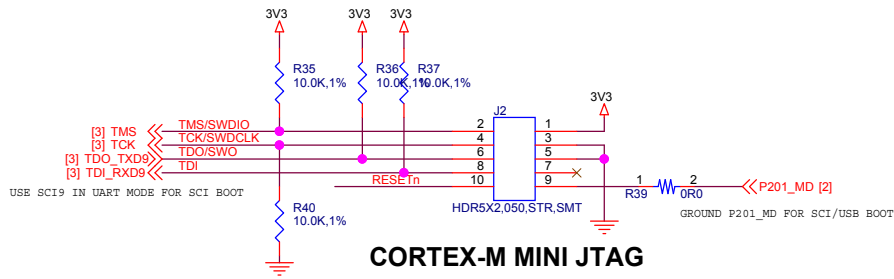


QSPI FLASH

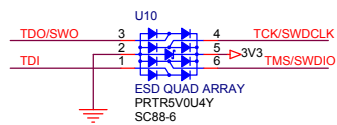


OPTIONAL SMALL FOOTPRINT QSPI
 (LOAD INSTEAD OF U4)

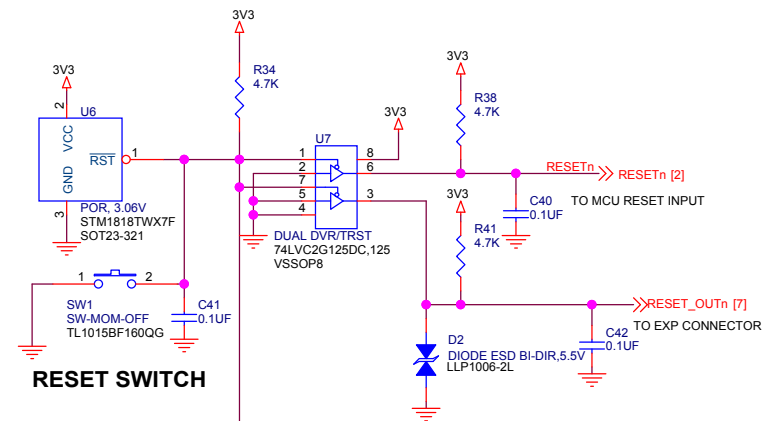
FUTURE DESIGNS, INC. 996 A CLEANER WAY HUNTSVILLE, AL 35805		FDI
Title SDRAM MEMORY & SPIFI		
Size	Document Number SYG-70Cx	Rev 1
Date:	Thursday, March 30, 2017	Sheet 4 of 10



**TAG-CONNECT TC2050-IDC-FP
FOR USE WITH TX2050-ARM2010 ADAPTER**



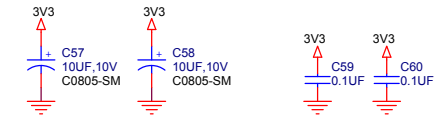
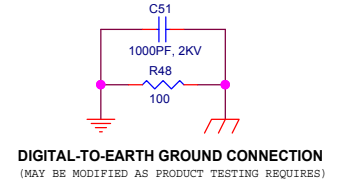
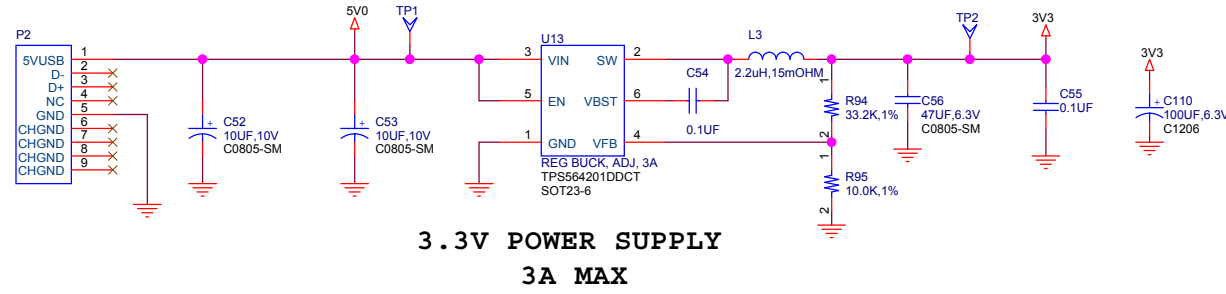
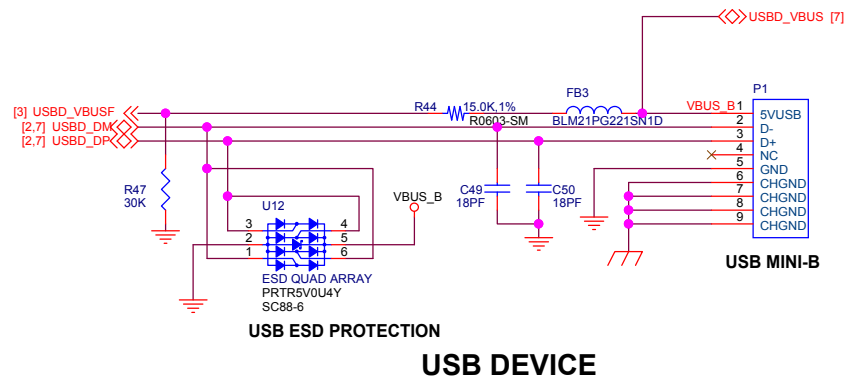
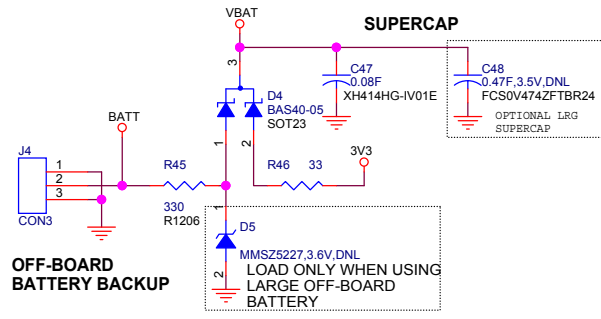
POWER-ON RESET CIRCUIT



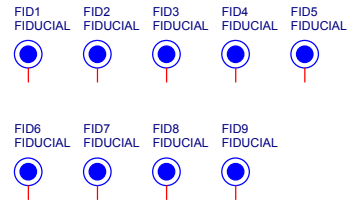
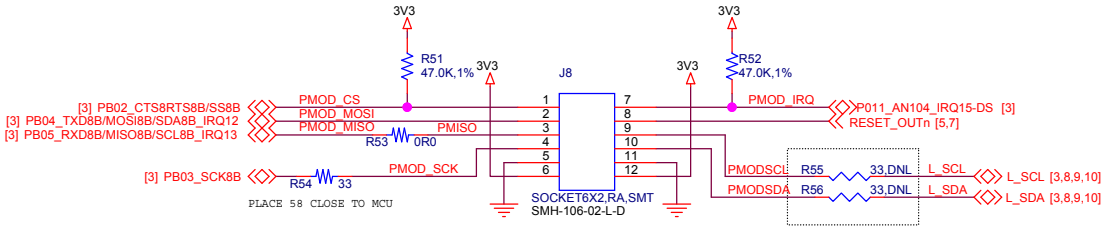
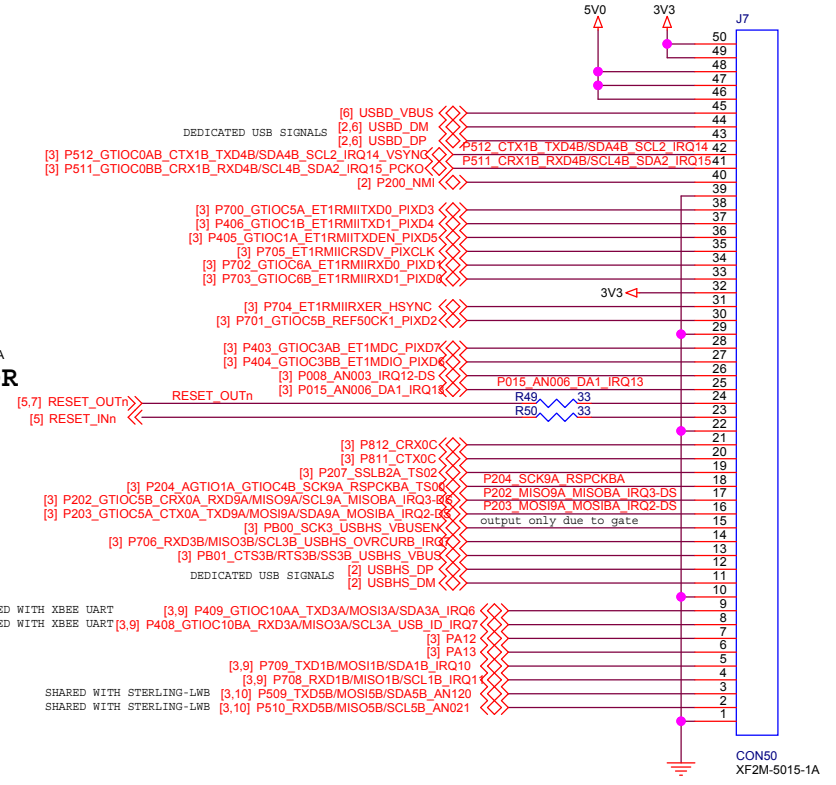
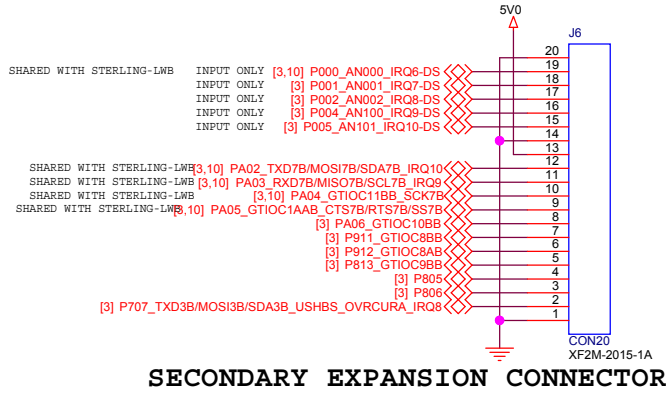
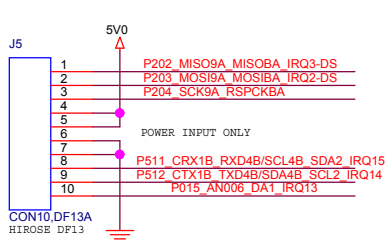
MCU CONTROLLED SYSTEM RESET

MCU CONTROLLED PERIPHERAL RESET

FUTURE DESIGNS, INC. 996 A CLEANER WAY HUNTSVILLE, AL 35805		FDI
Title JTAG & RESET		
Size	Document Number SYG-70Cx	Rev 1
Date:	Thursday, April 27, 2017	Sheet 5 of 10



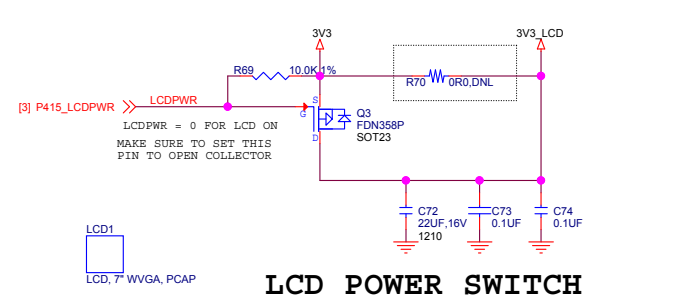
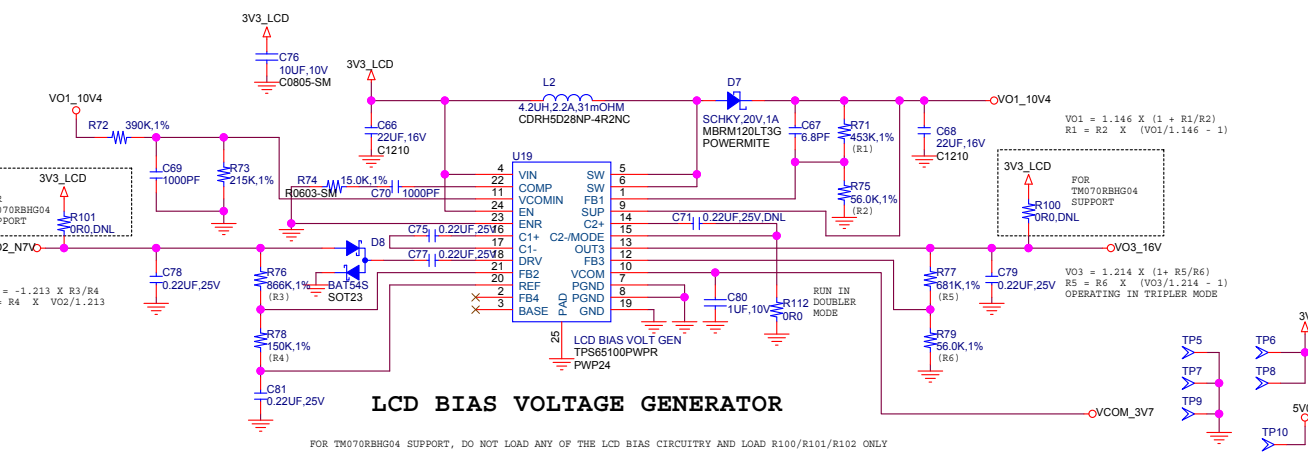
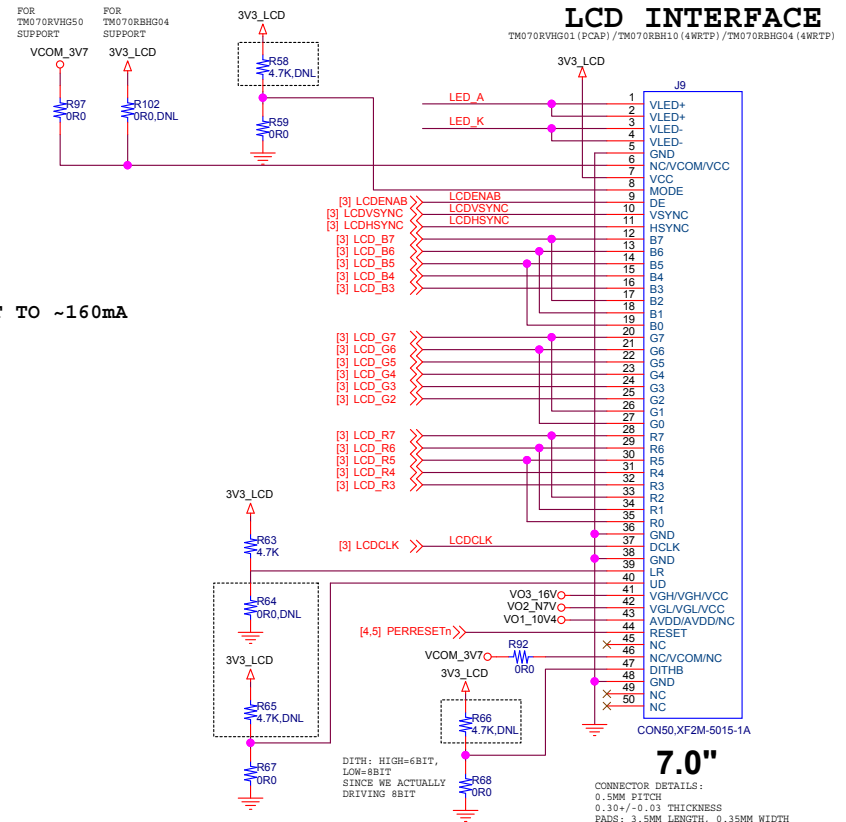
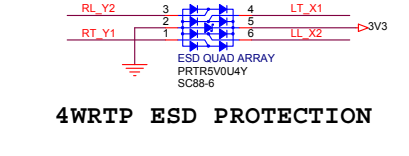
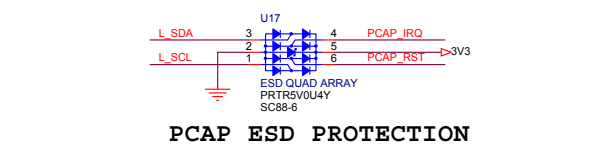
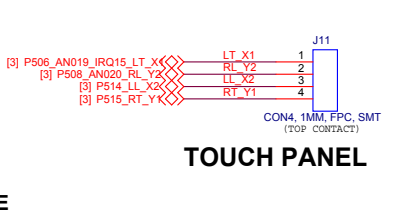
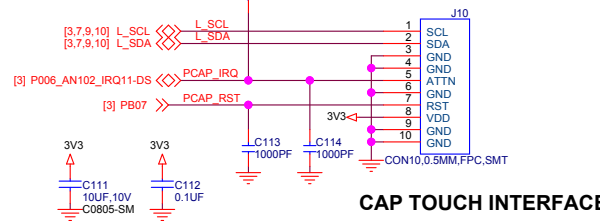
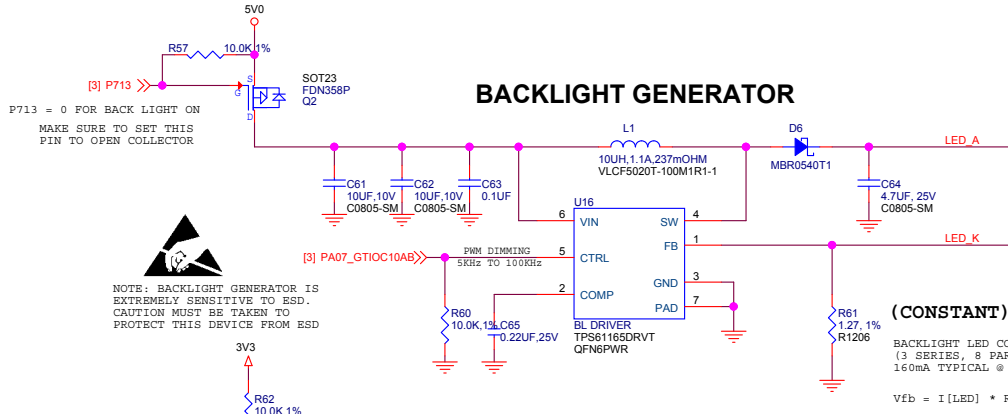
FUTURE DESIGNS, INC. 996 A CLEANER WAY HUNTSVILLE, AL 35805		FDI
Title	USB DEV, BATTERY, DCDC	
Size B	Document Number SYG-70Cx	Rev 1
Date:	Thursday, February 09, 2017	Sheet 6 of 10



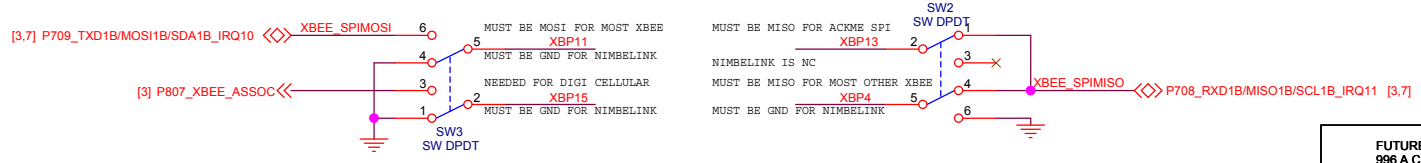
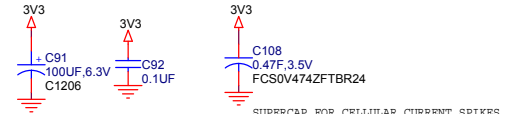
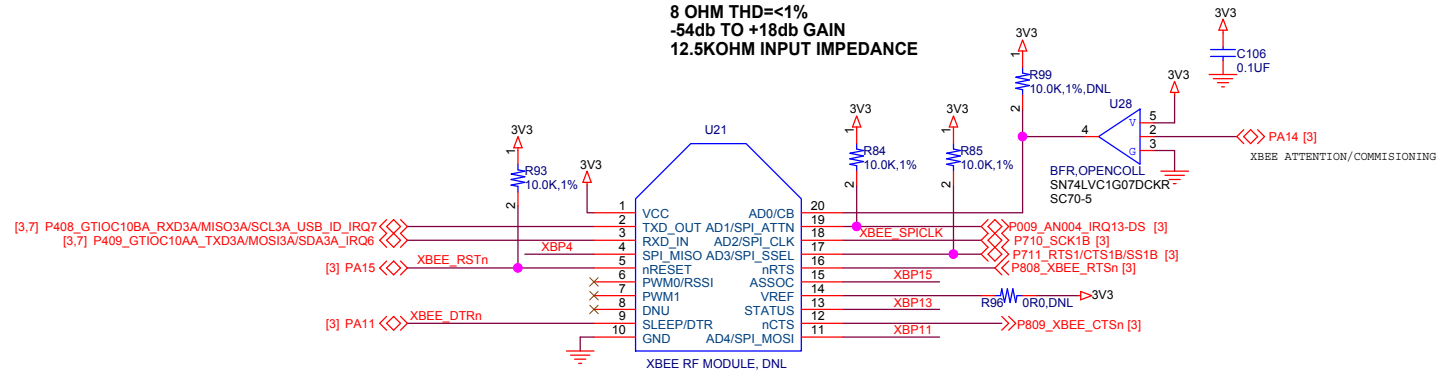
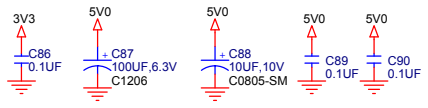
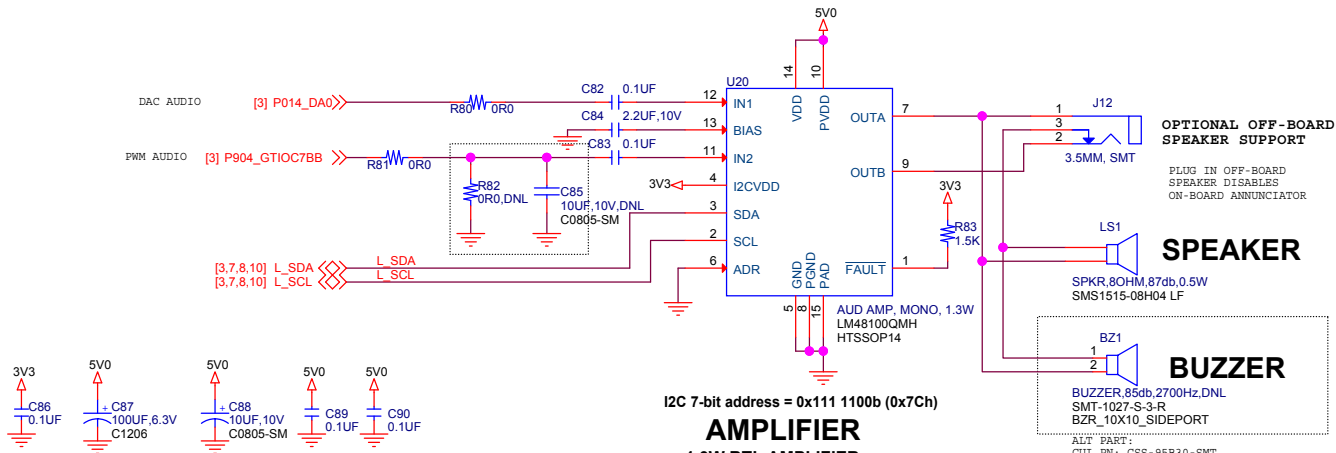
FUTURE DESIGNS, INC. 996 A CLEANER WAY HUNTSVILLE, AL 35805		
Title EXP CONN PMOD		
Size Document Number SYG-70Cx	Rev 1	
Date: Thursday, February 09, 2017	Sheet 7	of 10

LCD INTERFACE

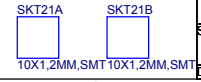
TM070RBHG01 (PCAP) / TM070RBH10 (4WRTP) / TM070RBHG04 (4WRTP)

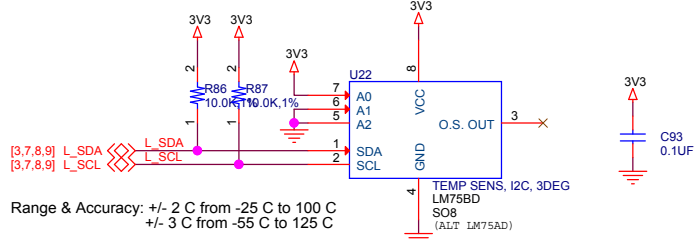


FUTURE DESIGNS, INC. 996 A CLEANER WAY HUNTSVILLE, AL 35805			
File	LCD TP BL		
Size	Document Number	Rev	
	SYG-70CX	1	
Date:	Tuesday, April 25, 2017	Sheet	8 of 10



FUTURE DESIGNS, INC. 996 A CLEANER WAY HUNTSVILLE, AL 35805		FDI
Title: AUDIO / XBEE		
Size	Document Number: SYG-70Cx	Rev: 1

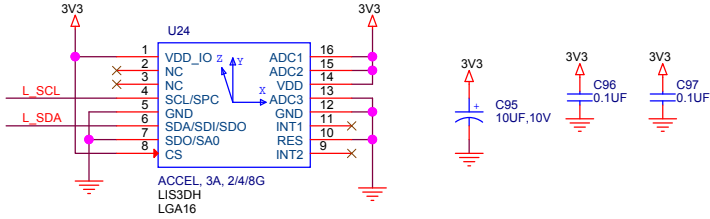




Range & Accuracy: +/- 2 C from -25 C to 100 C
 +/- 3 C from -55 C to 125 C

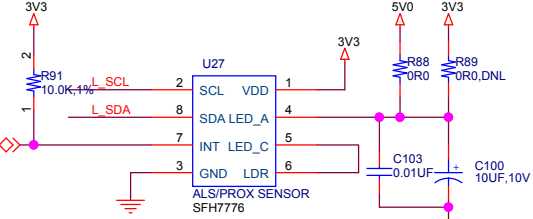
TEMP SENSOR

I2C 7-bit address = 0x100 1001b (0x49h)



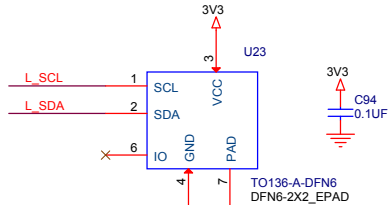
3-AXIS ACCELEROMETER

I2C 7-bit address = 0x001 1000b (0x18h)



ALS/PROXIMITY SENSOR

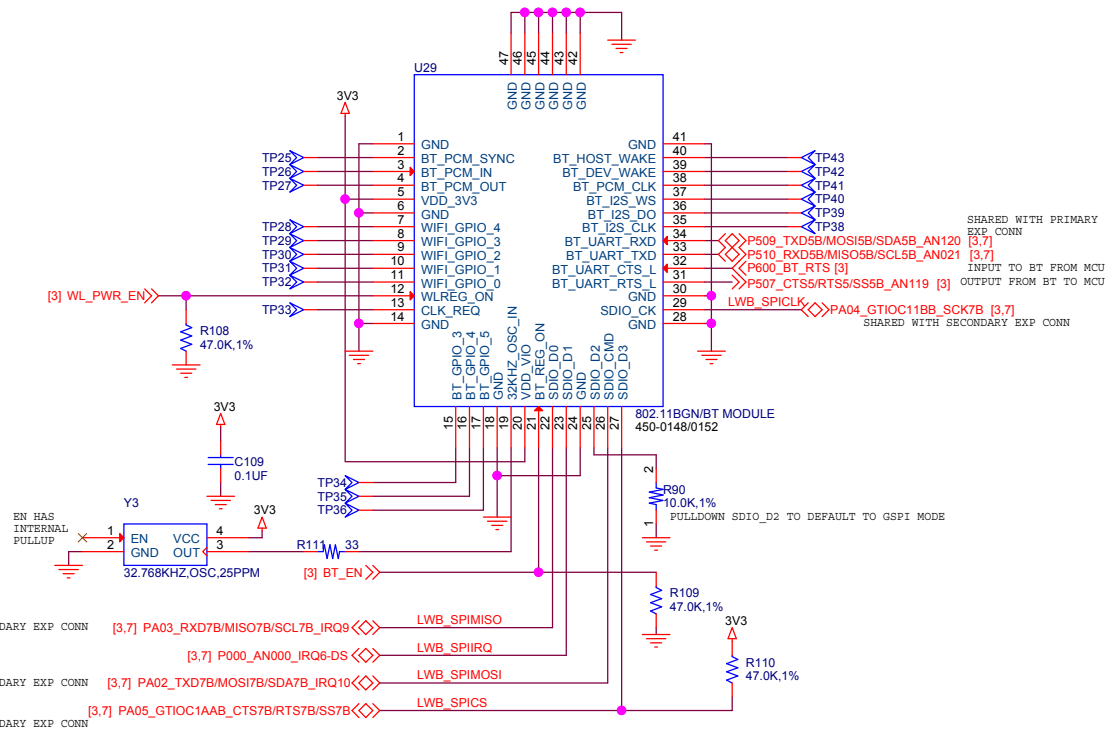
I2C 7-bit address = 0x011 1001b (0x39h)



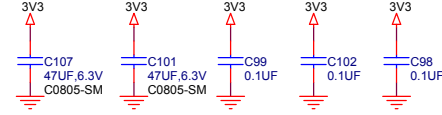
TRUSTED OBJECTS SECURE ELEMENT

I2C 7-bit address = 0x101 0000b (0x50h)

(MAY BE CUSTOMIZED PER CUSTOMER REQUEST)



LAIRD STERLING-LWB WIFI/BLUETOOTH LE



FUTURE DESIGNS, INC. 996 A CLEANER WAY HUNTSVILLE, AL 35805		FDI
Title: I2C PERIPHERALS/STERLING-LWB		
Size: SYG-70Cx	Document Number: SYG-70Cx	Rev: 1
Date: Thursday, February 09, 2017	Sheet: 10 of 10	