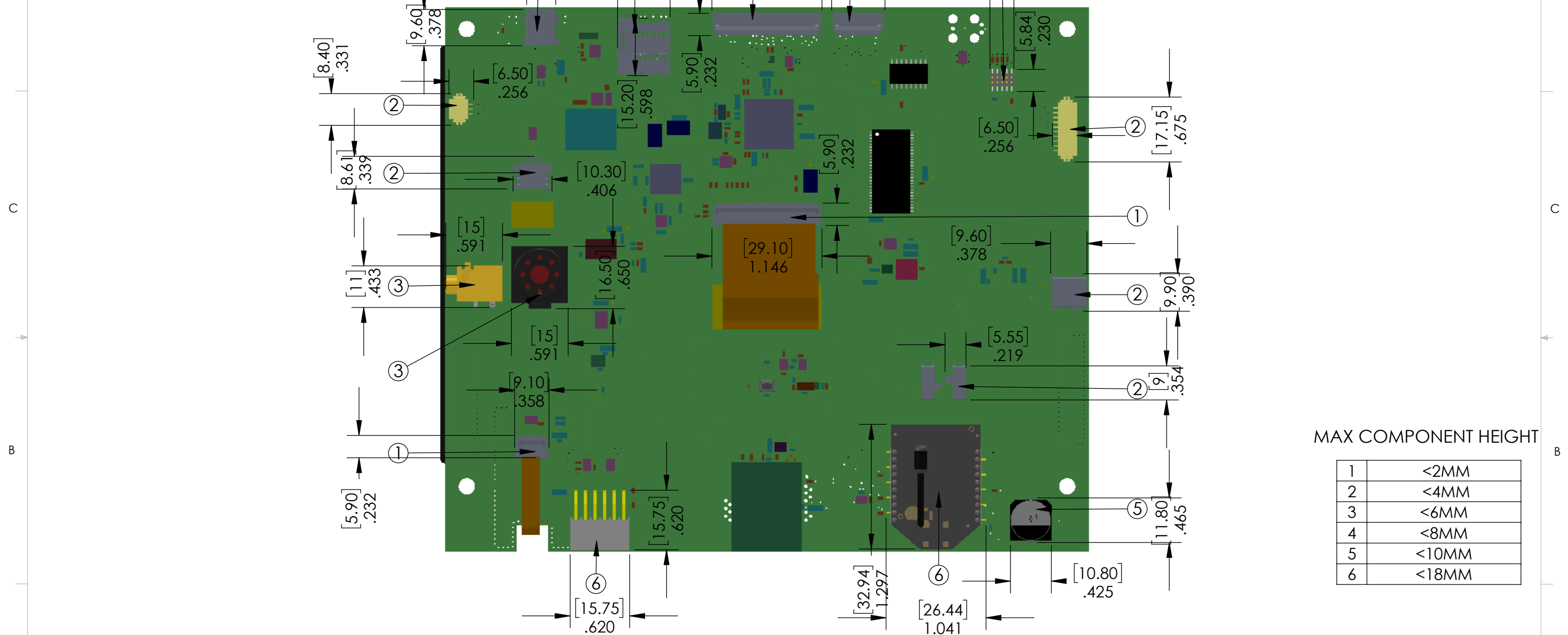


**PROPRIETARY AND CONFIDENTIAL**  
 THE INFORMATION CONTAINED IN THIS DRAWING IS THE SOLE PROPERTY OF <INSERT COMPANY NAME HERE>. ANY REPRODUCTION IN PART OR AS A WHOLE WITHOUT THE WRITTEN PERMISSION OF <INSERT COMPANY NAME HERE> IS PROHIBITED.

		UNLESS OTHERWISE SPECIFIED:				NAME		DATE		Future Designs Inc.	
		DIMENSIONS ARE IN INCHES		DRAWN							
		TOLERANCES:		CHECKED						SYG70CP Display Assembly	
		FRACTIONAL ±		ENG APPR.						SIZE	
		ANGULAR: MACH ± BEND ±		MFG APPR.						DWG. NO.	
		TWO PLACE DECIMAL ±		Q.A.						REV	
		THREE PLACE DECIMAL ±		COMMENTS:						1	
		INTERPRET GEOMETRIC TOLERANCING PER:								SCALE: 1:1.5 WEIGHT:	
		MATERIAL								SHEET 2 OF 5	
		FINISH									
NEXT ASSY		USED ON									
APPLICATION		DO NOT SCALE DRAWING									



MAX COMPONENT HEIGHT

1	<2MM
2	<4MM
3	<6MM
4	<8MM
5	<10MM
6	<18MM

**PROPRIETARY AND CONFIDENTIAL**  
 THE INFORMATION CONTAINED IN THIS DRAWING IS THE SOLE PROPERTY OF <INSERT COMPANY NAME HERE>. ANY REPRODUCTION IN PART OR AS A WHOLE WITHOUT THE WRITTEN PERMISSION OF <INSERT COMPANY NAME HERE> IS PROHIBITED.

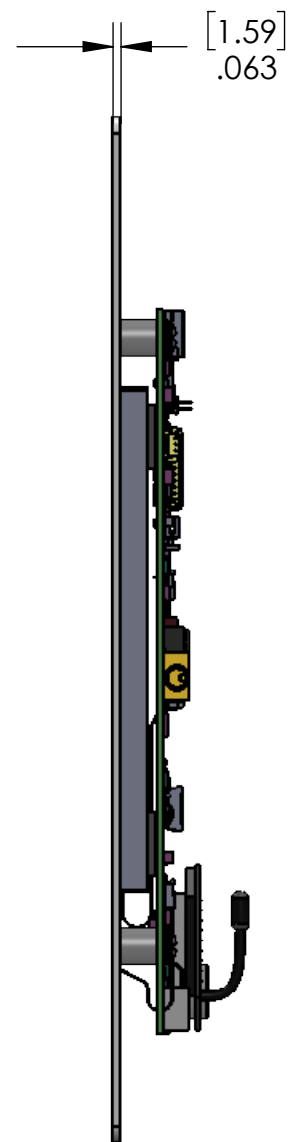
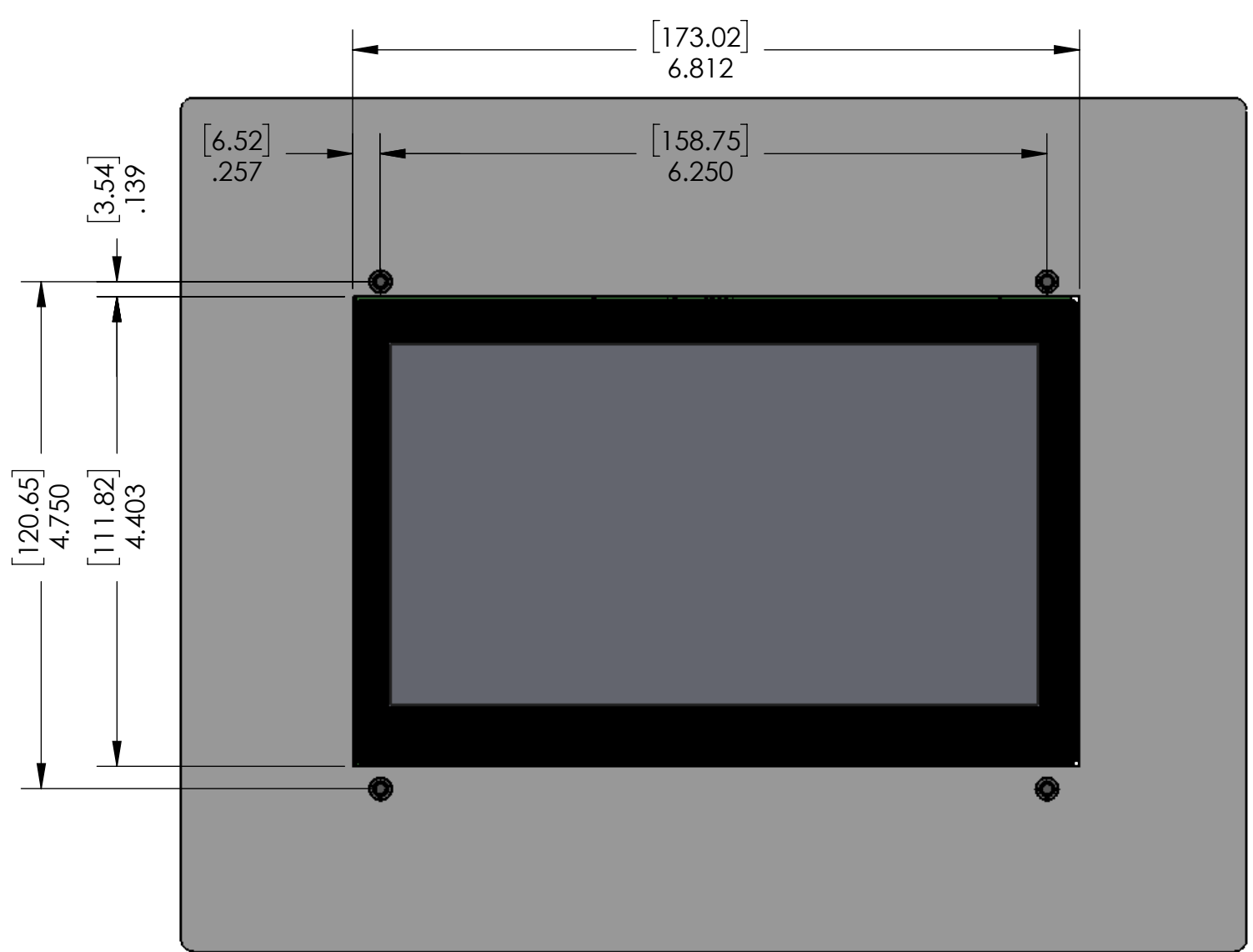
UNLESS OTHERWISE SPECIFIED:		NAME	DATE	Future Designs Inc.	
DIMENSIONS ARE IN INCHES TOLERANCES: FRACTIONAL ± ANGULAR: MACH ± BEND ± TWO PLACE DECIMAL ± THREE PLACE DECIMAL ±		DRAWN			
INTERPRET GEOMETRIC TOLERANCING PER:		CHECKED		SIZE DWG. NO. REV <b>B</b> SYG70CP <b>1</b>	
MATERIAL		ENG APPR.			
FINISH		MFG APPR.			
NEXT ASSY	USED ON	Q.A.			
APPLICATION		COMMENTS:			
DO NOT SCALE DRAWING					

DESIGN NOTES:  
 LCD MODULE SIZE = 171.50 X 110.30  
 LCD VIEWING AREA = 155.24 X 87.12  
 LCD ACTIVE AREA = 154.08 X 85.92  
 TP ACTIVE AREA = 157 X 92.08  
 BEZEL OPENING = 157.00 X 92.80 (SUGGESTED)  
 GASKET SIZE (INTERNAL) = 155.4 x 91.2 (SUGGESTED)  
 GASKET SIZE (EXTERNAL) = 164.90 X 100.00 (MAX)



**PROPRIETARY AND CONFIDENTIAL**  
 THE INFORMATION CONTAINED IN THIS  
 DRAWING IS THE SOLE PROPERTY OF  
 <INSERT COMPANY NAME HERE>. ANY  
 REPRODUCTION IN PART OR AS A WHOLE  
 WITHOUT THE WRITTEN PERMISSION OF  
 <INSERT COMPANY NAME HERE> IS  
 PROHIBITED.

		UNLESS OTHERWISE SPECIFIED:		NAME	DATE	Future Designs Inc.	
		DIMENSIONS ARE IN INCHES TOLERANCES: FRACTIONAL ± ANGULAR: MACH ± BEND ± TWO PLACE DECIMAL ± THREE PLACE DECIMAL ±		DRAWN		TITLE:	
		INTERPRET GEOMETRIC TOLERANCING PER:		CHECKED		SYG70CP Display Assembly	
		MATERIAL		ENG APPR.		SIZE	
		FINISH		MFG APPR.		DWG. NO.	
NEXT ASSY	USED ON			Q.A.		REV	
APPLICATION		DO NOT SCALE DRAWING		COMMENTS:		1	
						SCALE: 1:1	WEIGHT:
						SHEET 4 OF 5	



Recommended Panel Cutout

**PROPRIETARY AND CONFIDENTIAL**  
 THE INFORMATION CONTAINED IN THIS DRAWING IS THE SOLE PROPERTY OF <INSERT COMPANY NAME HERE>. ANY REPRODUCTION IN PART OR AS A WHOLE WITHOUT THE WRITTEN PERMISSION OF <INSERT COMPANY NAME HERE> IS PROHIBITED.

		UNLESS OTHERWISE SPECIFIED:		NAME	DATE	Future Designs Inc.	
		DIMENSIONS ARE IN INCHES		DRAWN		TITLE:	
		TOLERANCES:		CHECKED		SYG70CP	
		FRACTIONAL ±		ENG APPR.		SIZE	DWG. NO.
		ANGULAR: MACH ± BEND ±		MFG APPR.		<b>B</b>	SYG70CP
		TWO PLACE DECIMAL ±		Q.A.		SCALE: 1:1	WEIGHT:
		THREE PLACE DECIMAL ±		COMMENTS:			SHEET 5 OF 5
		INTERPRET GEOMETRIC TOLERANCING PER:					
		MATERIAL					
NEXT ASSY	USED ON	FINISH					
APPLICATION		DO NOT SCALE DRAWING					

4

3

2

1

B

B

A

A

4

3

2

1