

[3.175mm]
Ø0.13in

[66.675mm]
2.63in

[12.972mm]
0.5in

[59.580mm]
2.3in

[116.840mm]
4.60in

[55.626mm]
2.19in

[111.252mm]
4.38in

[8.560mm]
0.34in

[6.985mm]
0.28in

[75.420mm]
2.97in

[16.079mm]
0.6in

[19.050mm]
0.8in

4 x 0.060" DBL
SIDED TAPE

FDI
uEZGUI-4088-43WQN-BA 1

FUTURE
DESIGNS, INC.

[102.601mm]
4.04in

[82.528mm]
3.25in

[58.420mm]
2.30in

[25.390mm]
1.00in

[11.557mm]
0.46in

[33.519mm]
1.32in

[17.780mm]
0.70in

[6.096mm]
0.24in

[14.656mm]
0.58in

[33.401mm]
1.32in

[55.347mm]
2.18in

[96.270mm]
3.79in

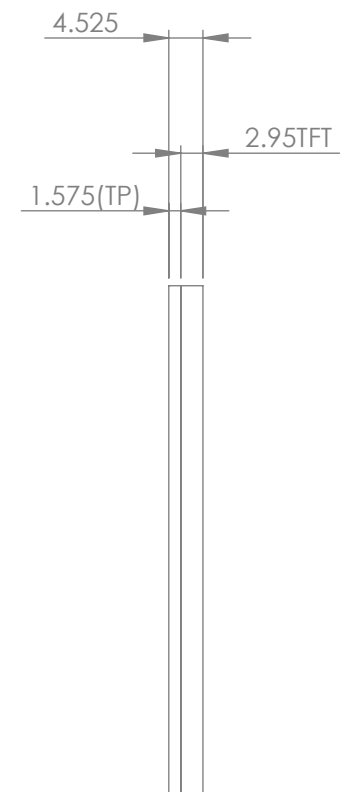
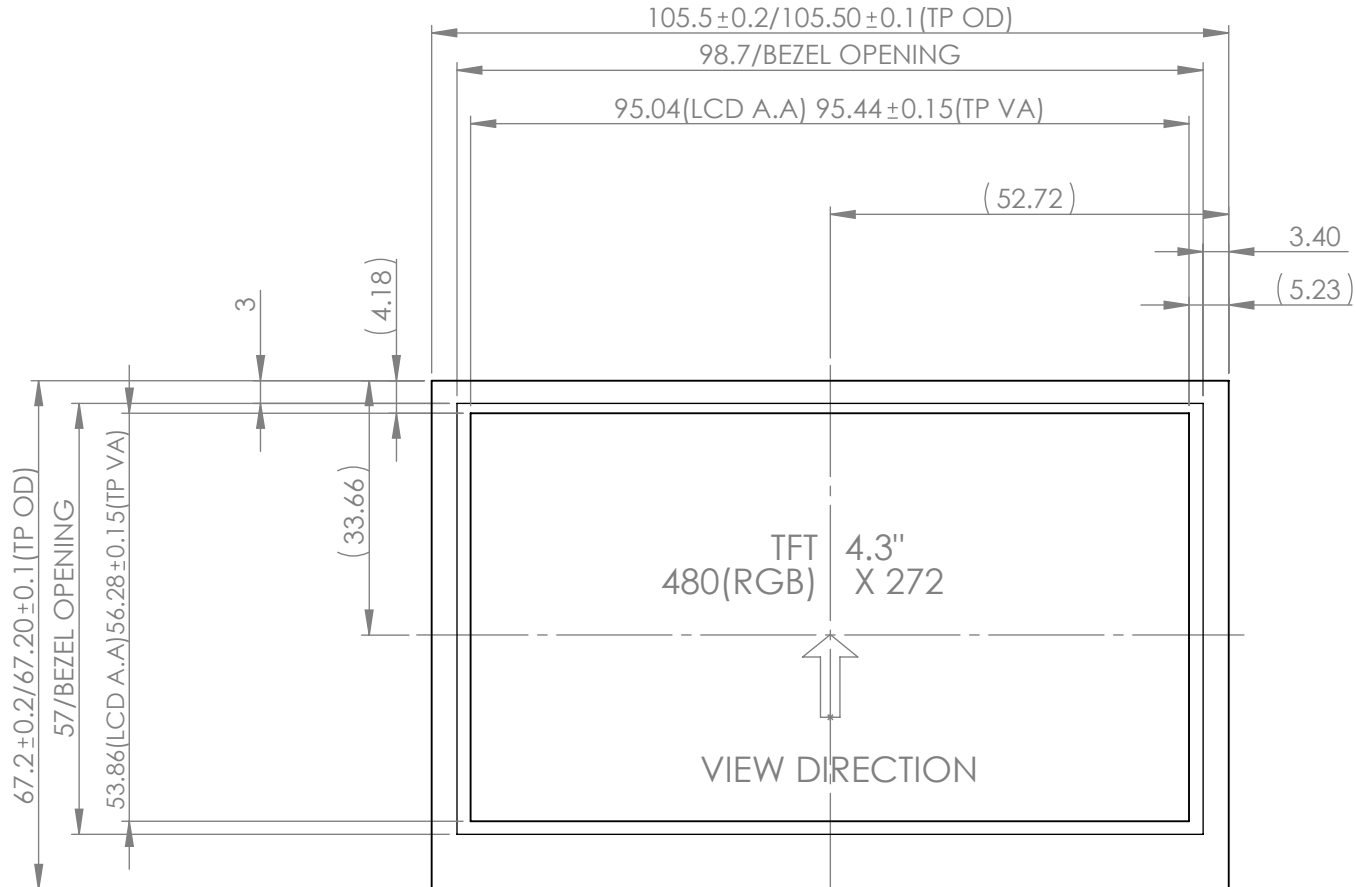
[97.155mm]
3.83in

[48.747mm]
1.92in

[16.390mm]
0.65in

PROPRIETARY AND CONFIDENTIAL
THE INFORMATION CONTAINED IN THIS
DRAWING IS THE SOLE PROPERTY OF
<INSERT COMPANY NAME HERE>. ANY
REPRODUCTION IN PART OR AS A WHOLE
WITHOUT THE WRITTEN PERMISSION OF
<INSERT COMPANY NAME HERE> IS
PROHIBITED.

		UNLESS OTHERWISE SPECIFIED:		NAME	DATE	Future Designs Inc.	
		DIMENSIONS ARE IN INCHES TOLERANCES: FRACTIONAL ± ANGULAR: MACH ± BEND ± TWO PLACE DECIMAL ± THREE PLACE DECIMAL ±		DRAWN			
		INTERPRET GEOMETRIC TOLERANCING PER:		CHECKED		SIZE DWG. NO. REV	
		MATERIAL		ENG APPR.		B	
		FINISH		MFG APPR.		1	
NEXT ASSY	USED ON			Q.A.		SCALE: 1:1 WEIGHT: SHEET 1 OF 4	
APPLICATION		DO NOT SCALE DRAWING		COMMENTS:			



PROPRIETARY AND CONFIDENTIAL
 THE INFORMATION CONTAINED IN THIS DRAWING IS THE SOLE PROPERTY OF <INSERT COMPANY NAME HERE>. ANY REPRODUCTION IN PART OR AS A WHOLE WITHOUT THE WRITTEN PERMISSION OF <INSERT COMPANY NAME HERE> IS PROHIBITED.

		UNLESS OTHERWISE SPECIFIED:	NAME	DATE	Future Designs Inc.	
		DIMENSIONS ARE IN INCHES TOLERANCES: FRACTIONAL ± ANGULAR: MACH ± BEND ± TWO PLACE DECIMAL ± THREE PLACE DECIMAL ±	DRAWN			
		INTERPRET GEOMETRIC TOLERANCING PER:	CHECKED		uEZGUI-4088-43WQN Assembly	
		MATERIAL	ENG APPR.			
NEXT ASSY	USED ON	FINISH	MFG APPR.		SIZE	DWG. NO.
APPLICATION		DO NOT SCALE DRAWING	Q.A.		B	
			COMMENTS:		SCALE: 1:1	WEIGHT:
						SHEET 2 OF 4
						REV
						1

4

3

2

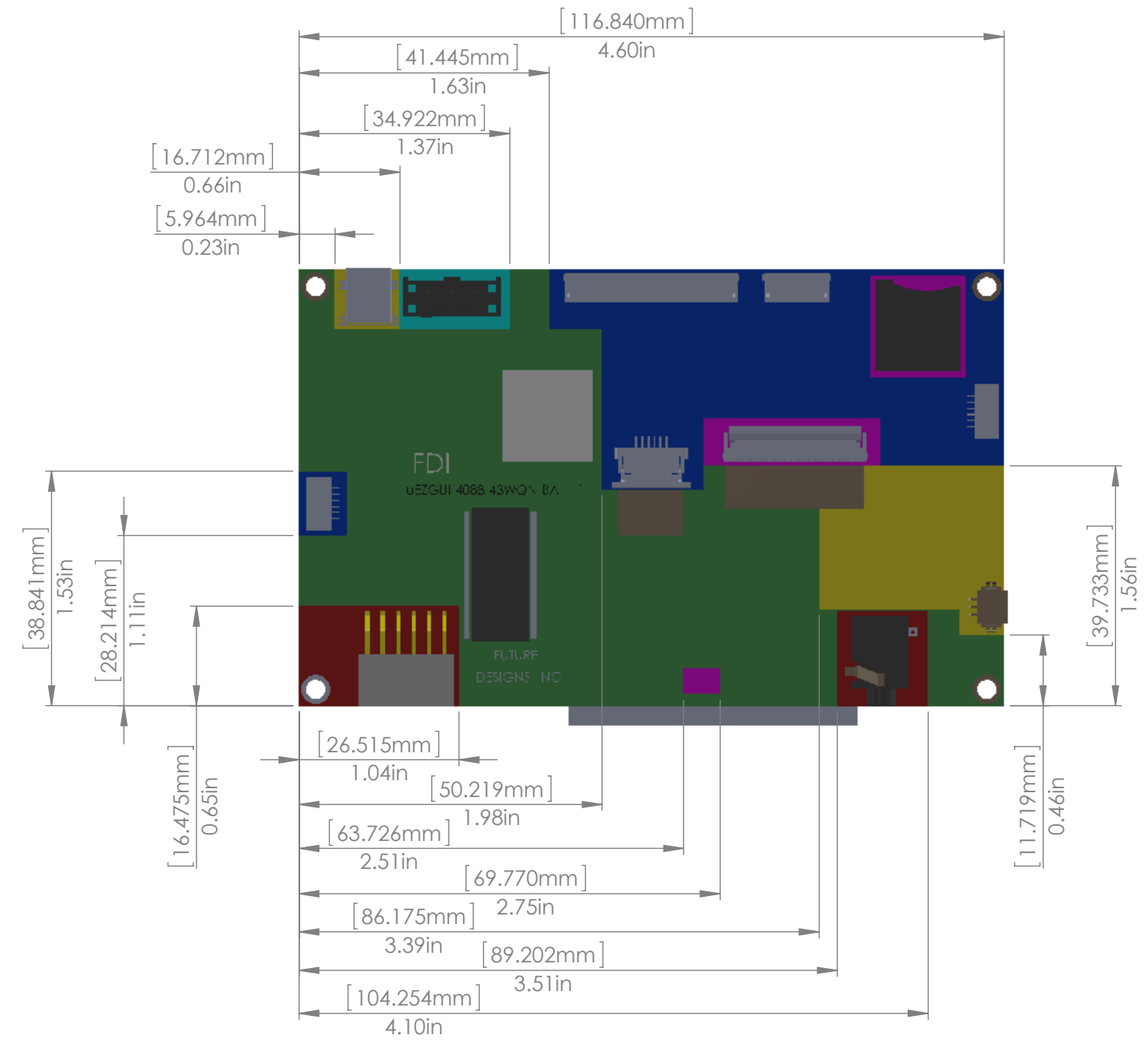
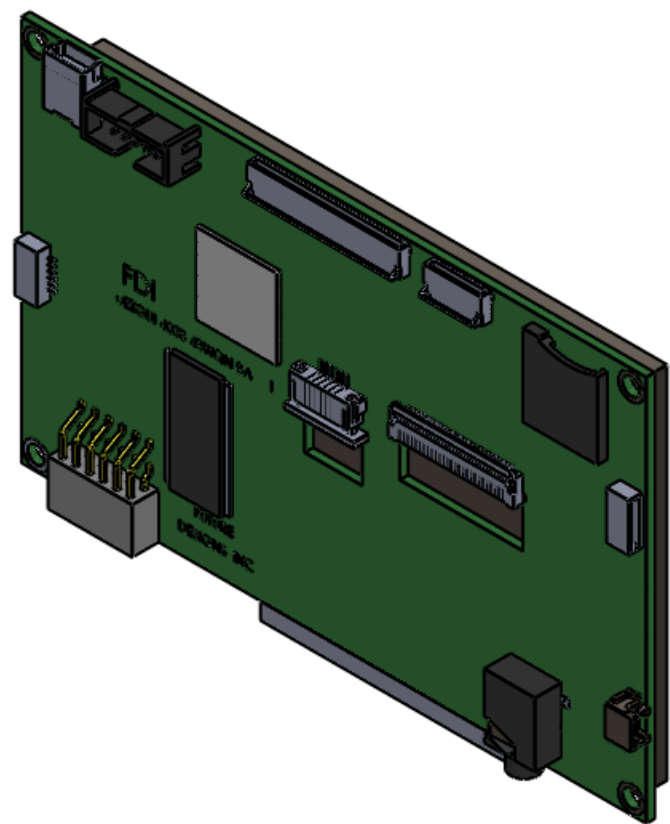
1

B

B

MAX COMPONENT HEIGHT ZONES

1	≤ 1.00mm
2	≤ 2.00mm
3	≤ 3.00mm
4	≤ 4.00mm
5	≤ 5.00mm
6	≤ 6.00mm



A

A

PROPRIETARY AND CONFIDENTIAL
 THE INFORMATION CONTAINED IN THIS DRAWING IS THE SOLE PROPERTY OF <INSERT COMPANY NAME HERE>. ANY REPRODUCTION IN PART OR AS A WHOLE WITHOUT THE WRITTEN PERMISSION OF <INSERT COMPANY NAME HERE> IS PROHIBITED.

		UNLESS OTHERWISE SPECIFIED:		NAME	DATE	Future Designs Inc.	
		DIMENSIONS ARE IN INCHES TOLERANCES: FRACTIONAL ± ANGULAR: MACH ± BEND ± TWO PLACE DECIMAL ± THREE PLACE DECIMAL ±		DRAWN			
		INTERPRET GEOMETRIC TOLERANCING PER:		CHECKED		SIZE DWG. NO. REV	
		MATERIAL		ENG APPR.		B	
		FINISH		MFG APPR.		1	
NEXT ASSY	USED ON			Q.A.		SCALE: 1:1 WEIGHT: SHEET 3 OF 4	
APPLICATION		DO NOT SCALE DRAWING		COMMENTS:			

4

3

2

1

4

3

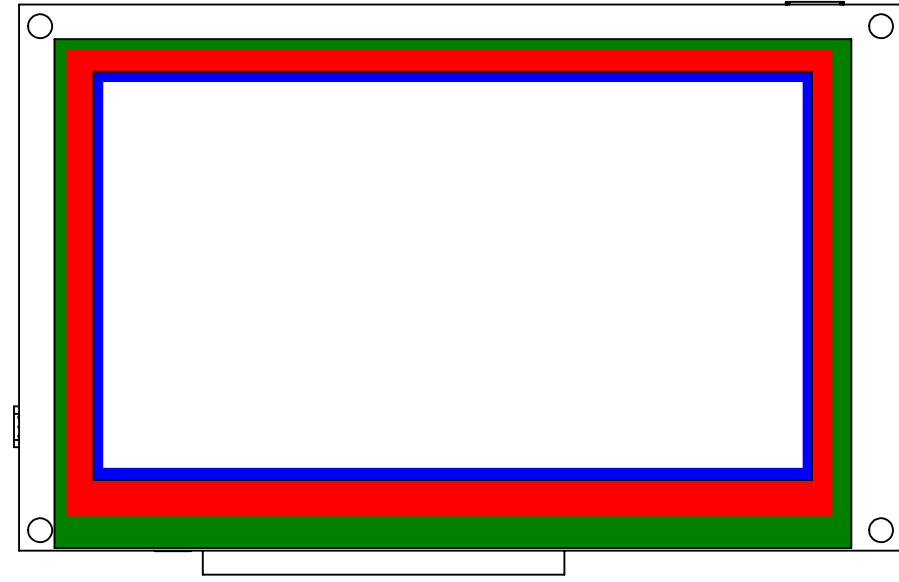
2

1

B

B

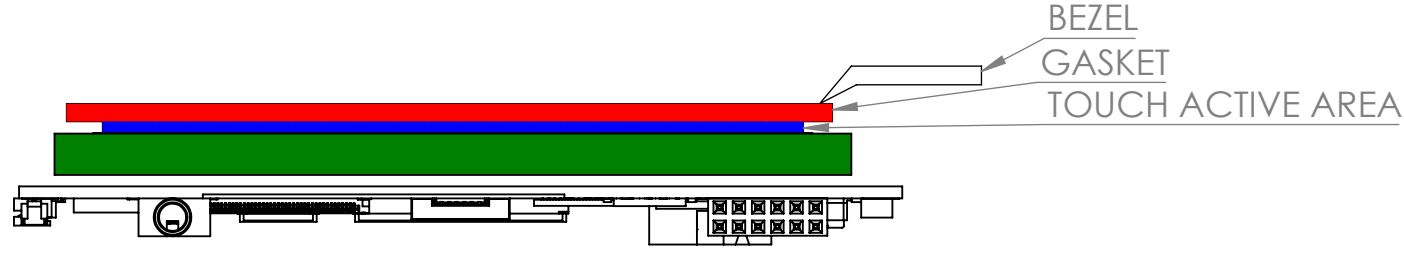
LCD MODULE SIZE (105.5 X 67.2)
 LCD VIEWING AREA (95.04 X 53.86)
 LCD ACTIVE AREA (95.04 X 53.86)
 TP ACTIVE AREA (95.44 X 56.28)
 BEZEL OPENING (98.7 X 57.0)
 GASKET SIZE (INTERNAL) (100.7 X 59.0)
 GASKET SIZE (EXTERNAL) (107 X 66)



WHITE BOX REPRESENTS
 BEZEL OPENING
 BLUE IS TOUCH ACTIVE AREA
 RED IS GASKET OUTSIDE OF
 TOUCH AREA AND SMALLER
 THAN LCD MAX DIM
 GREEN IS LCD

A

A



PROPRIETARY AND CONFIDENTIAL
 THE INFORMATION CONTAINED IN THIS
 DRAWING IS THE SOLE PROPERTY OF
 <INSERT COMPANY NAME HERE>. ANY
 REPRODUCTION IN PART OR AS A WHOLE
 WITHOUT THE WRITTEN PERMISSION OF
 <INSERT COMPANY NAME HERE> IS
 PROHIBITED.

		UNLESS OTHERWISE SPECIFIED:		NAME	DATE	Future Designs Inc.		
		DIMENSIONS ARE IN INCHES TOLERANCES: FRACTIONAL ± ANGULAR: MACH ± BEND ± TWO PLACE DECIMAL ± THREE PLACE DECIMAL ±		DRAWN				TITLE:
		INTERPRET GEOMETRIC TOLERANCING PER:		CHECKED		uEZGUI-4088-43WQN Assembly		
		MATERIAL		ENG APPR.		SIZE	DWG. NO.	REV
NEXT ASSY	USED ON	FINISH		MFG APPR.		B		1
APPLICATION		DO NOT SCALE DRAWING		Q.A.		SCALE: 1:1	WEIGHT:	SHEET 4 OF 4
				COMMENTS:				

4

3

2

1